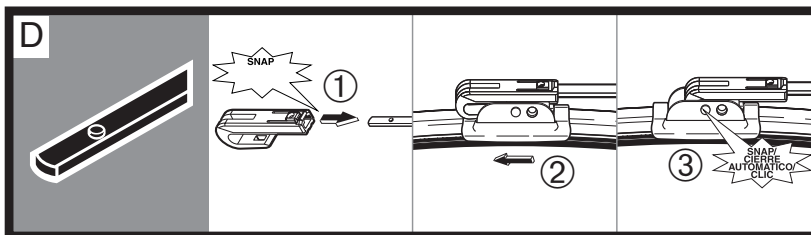
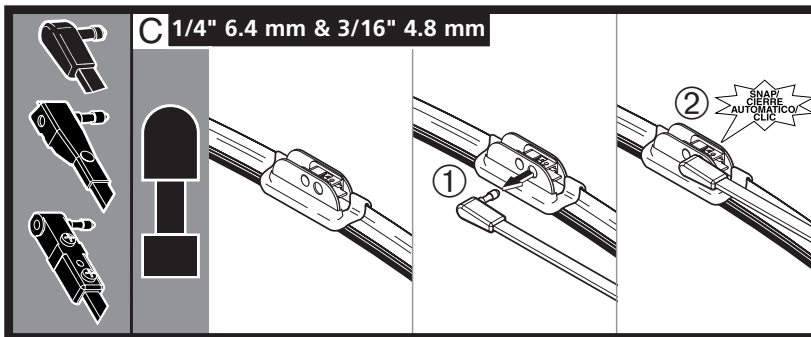
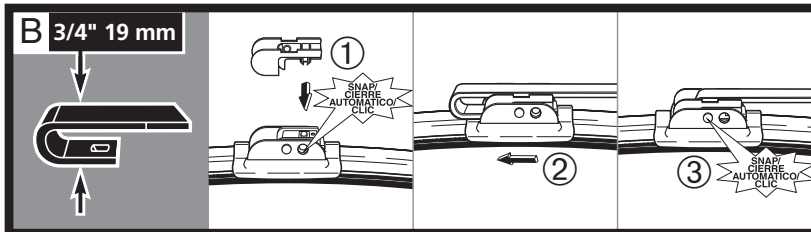
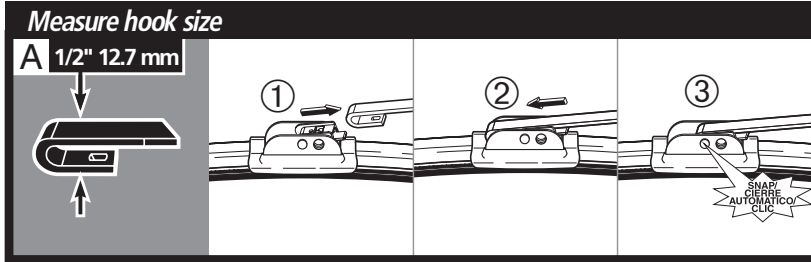


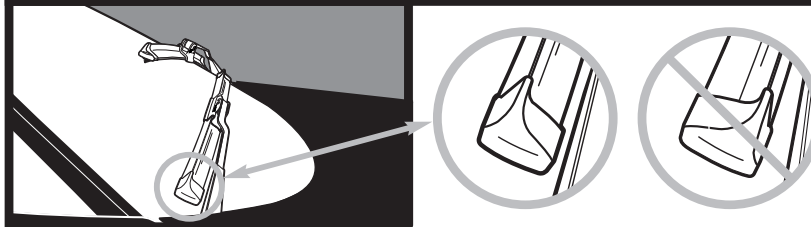
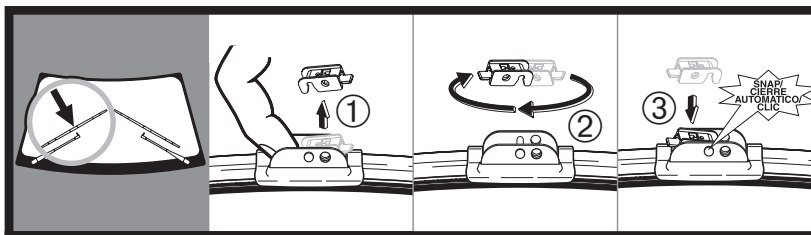
INSTALLATION

Install blade to arm, unless grid below shows extra adapter required for arm type.



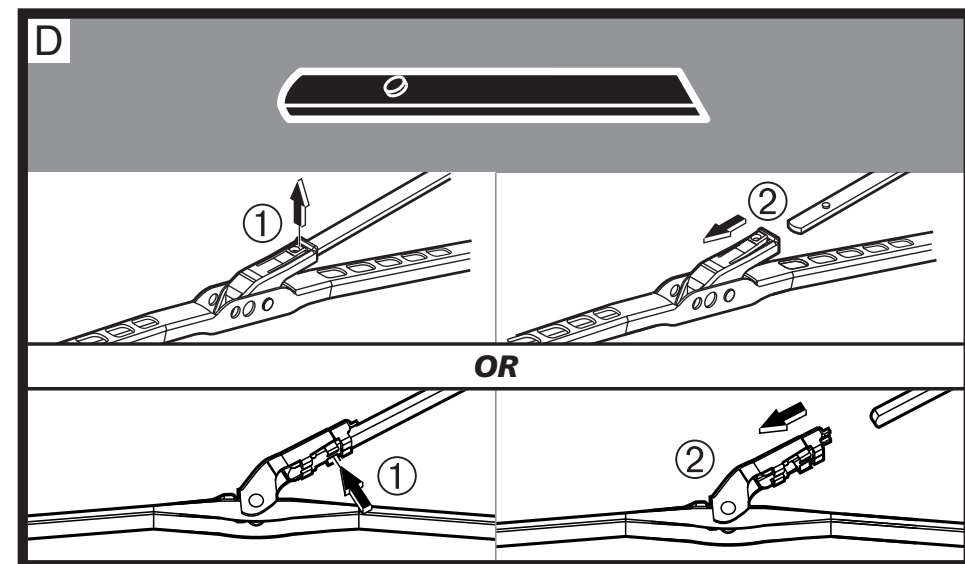
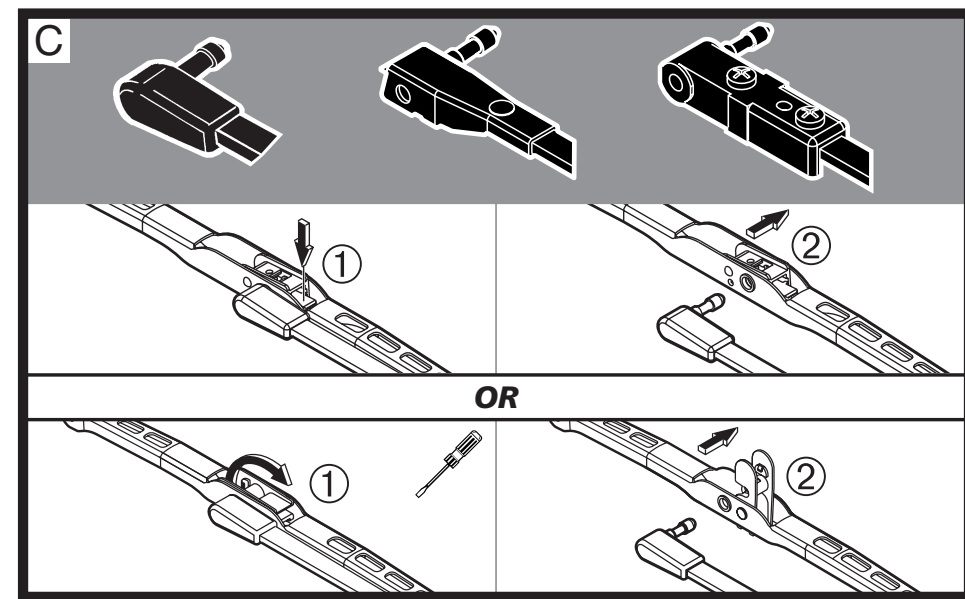
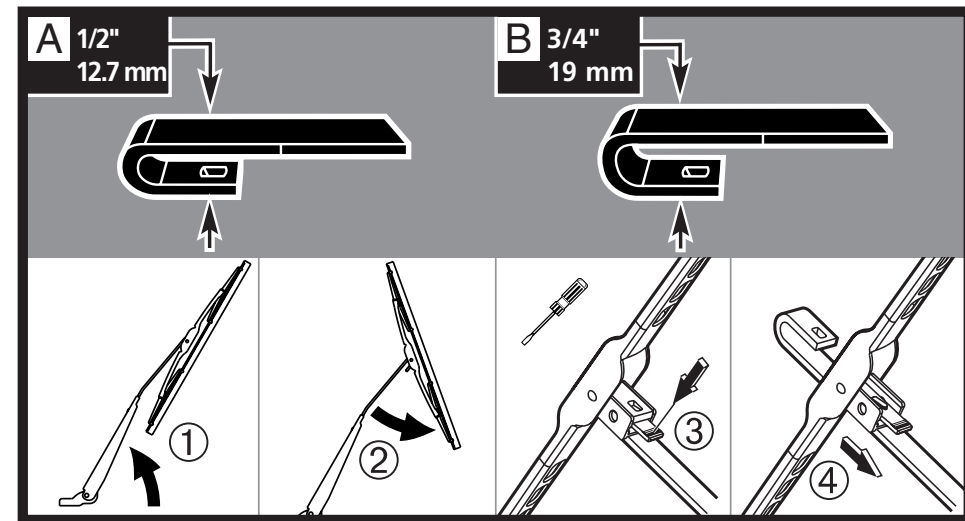
Blade Length		16	17	18	19	20	21	22	24	26	28
Adapters Included					B	B	B	B	B	B	
		D	D								

1 Inch	25.4 mm
3/4"	19 mm
1/2"	12.7 mm
1/4"	6.4 mm
3/16"	4.8 mm



REMOVAL

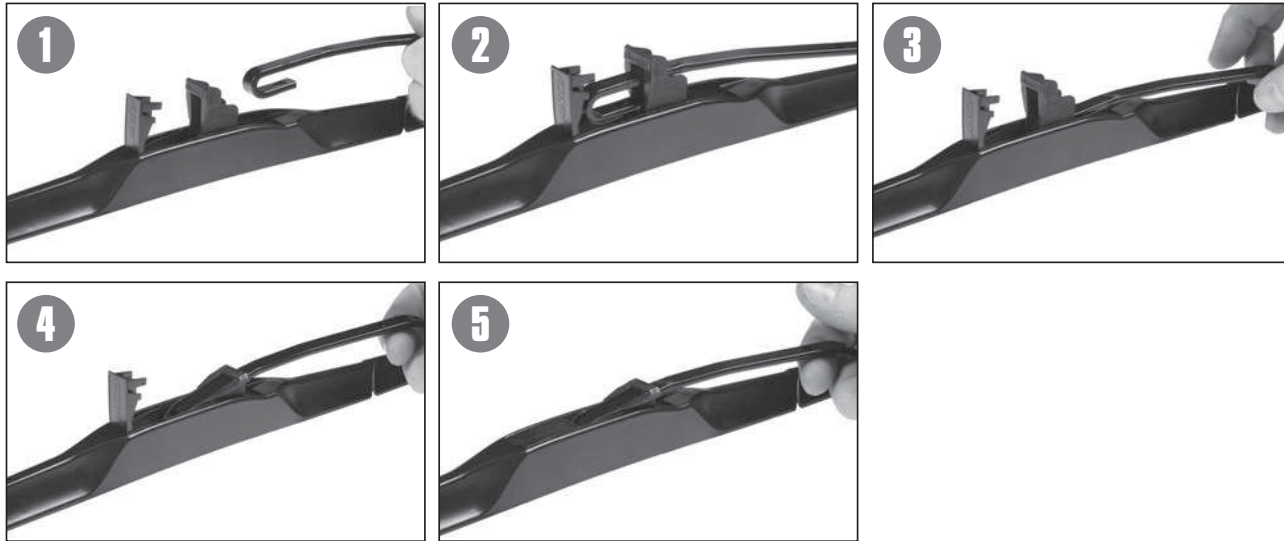
Identify arm type (A, B, C, or D) and follow easy steps to remove wiper blade.



Hybrid Blade Assembly and Connection



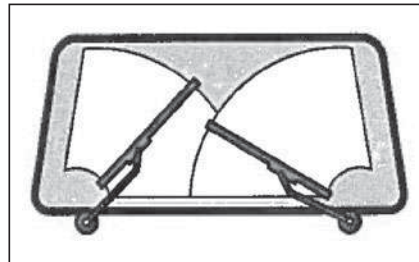
For Installations with a Standard Hook Connection...



Remove the adapters shown for the following circumstances:

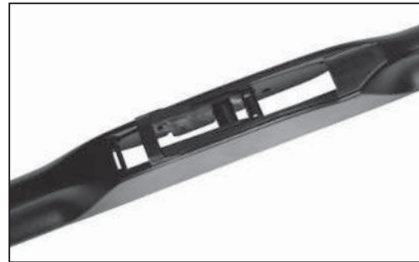
For hook arm with plastic beauty cap on top...

For the passenger side of an opposed wiper system...



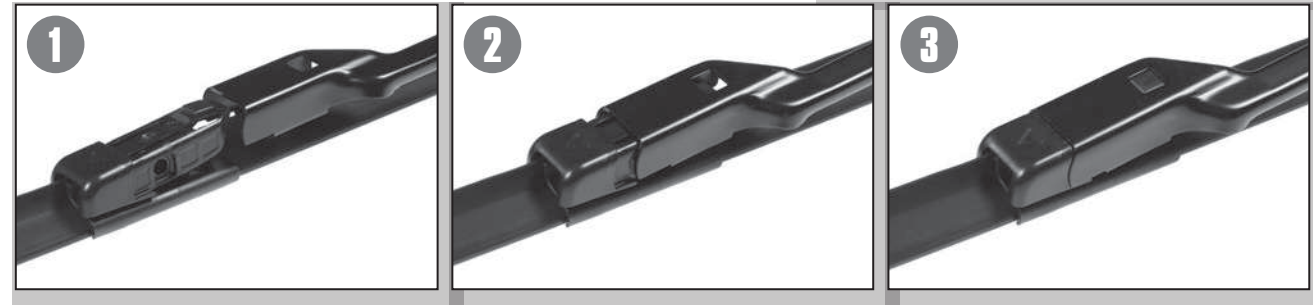
Correct

Incorrect

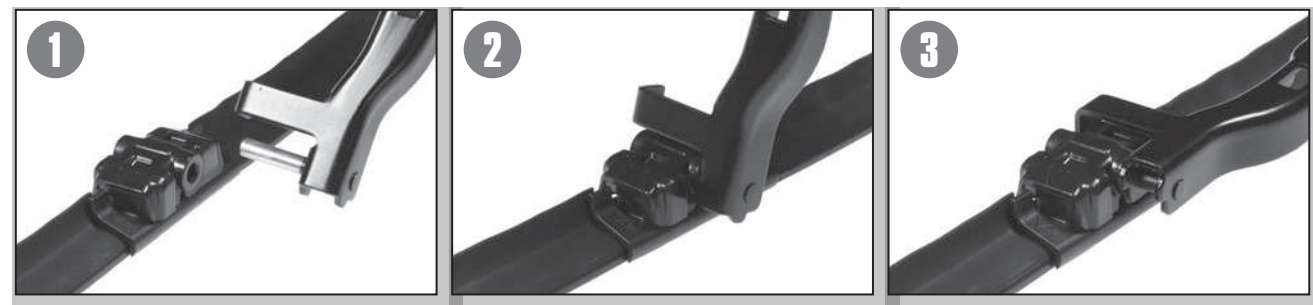
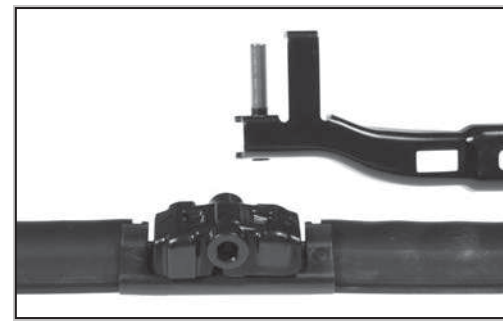


Beam Blade Bayonet/Side Pin Assembly and Connection

For Installations with a Bayonet Connection...



For Installations with a Side Pin Connection...



Beam Blade Pinch Tab/Top Lock Assembly and Connection

For Installations with a Pinch Tab Connection...

