

# Tire Pressure Monitoring System (TPMS) Sensor/Transmitter Installation Instructions



## Installation Procedures:

1. Dismount tire and valve/sensor from the wheel. **Important:** Refer to shop manual for specific dismount procedures and cautions specific to wheels with TPMS Sensors installed.
2. Clean valve stem hole in rim of any corrosion and debris.
3. Remove washer, nut and cap from the valve stem on the Dorman sensor.
4. Push the valve stem through the rim, install the washer and nut, then tighten the nut to 4Nm (35 lb-in) and hand tighten the valve cap.
5. Hold the sensor body against the rim (as shown in figure a) and install then tighten the screw to 4Nm (35 lb-in) so the sensor is flush against the rim.
6. Repeat procedure for any additional tires that need to have TPMS sensors replaced.
7. Begin re-learn procedure per Mitchell1 TPMS Guide\* and/or service manual.

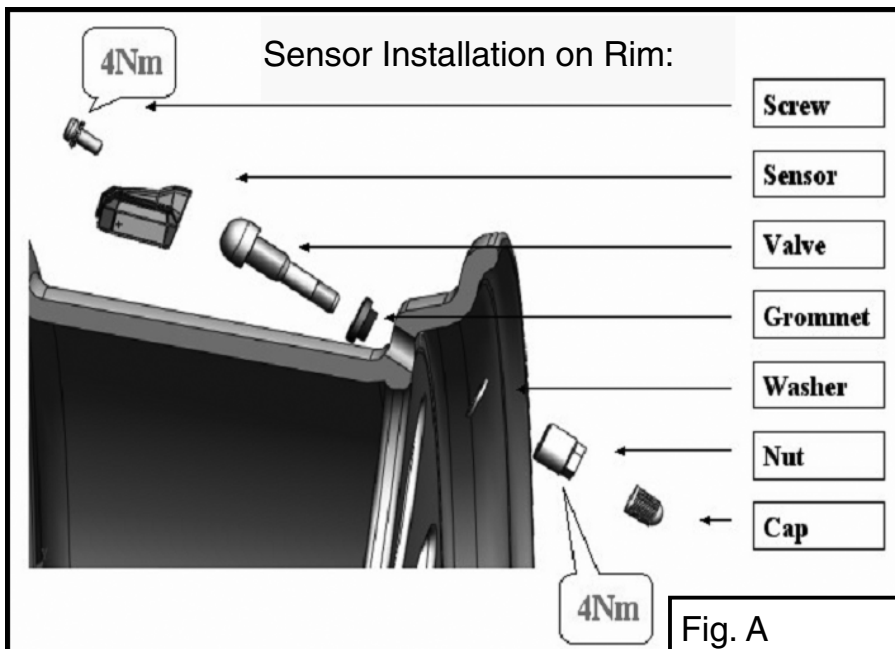
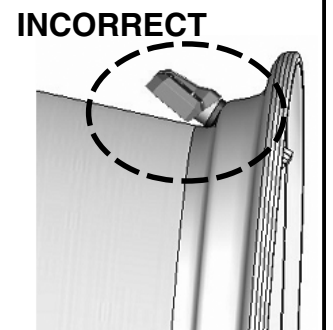
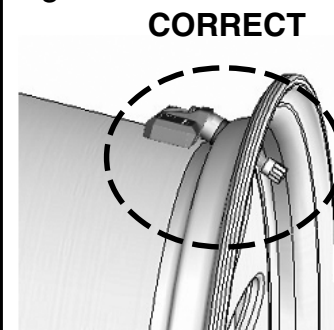


Fig. A



**Caution:**  
Refer to the appropriate shop manual for your vehicle to obtain specific service procedures for this part. If you do not have a service manual or lack the skill to install this part, it is recommended that you seek the services of a qualified technician. Pay special attention to all cautions and warnings included in the shop manual! Read and follow all instructions carefully, failure to do so could result in failure of the vehicle's Tire Pressure Monitor System (TPMS) Sensors to function properly, or result in damage to the TPMS Sensor.