

INSTALL CONFIDENCE[®]

Window Regulators

“Get **More**...”



Featuring...



“More Quality...”

Evaluation ▶ Design & Development ▶ Validation ▶ Continuous Improvement



3-Dimensional Coordinate Measuring

Validates overall design and specifications for proper fit, form, and function.



Benchmarking

Performance, Fit, and Failure modes of Original Parts Checked.



Tensile Testing

Validates and tests cable strength.



Material Hardness Testing

Verifies proper material selection for performance of the product.



Motor Dyno Testing

Certifies motor performance criteria.



On-Vehicle Testing

Validates trouble free installation, performance, and durability.



Cycle Testing

Validates durability and performance of the regulator and motor over extended cycles.



“More Innovation...”*

▶ Re-Engineered to Improve the Original Design

▶ Latest Technological Advances in Motors, Materials and Cable Systems Applied to New and Previously Released Applications

Stronger...
Plastic Compound for Greater Durability

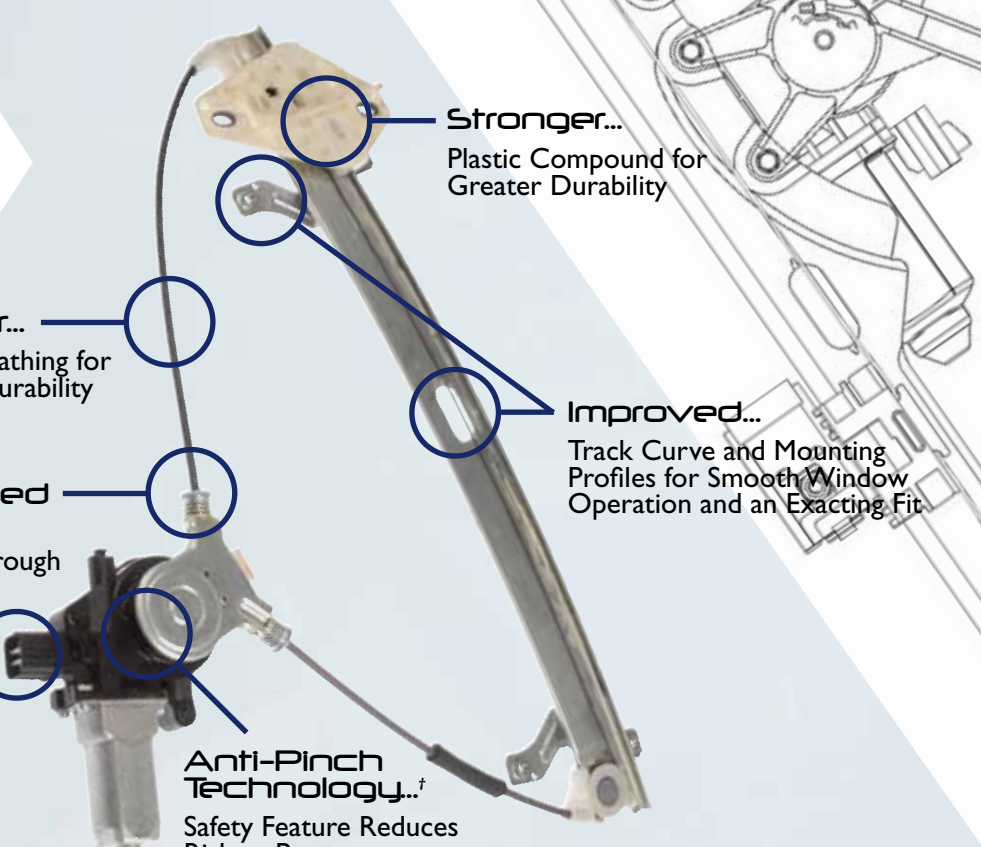
Thicker...
Plastic Sheathing for Greater Durability

Steel Capped Ends...
To Resist Pull Through

Plug & Play...
No Wire Splicing Necessary

Anti-Pinch Technology...
Safety Feature Reduces Risk to Passengers

Improved...
Track Curve and Mounting Profiles for Smooth Window Operation and an Exact Fit



“More Coverage...”

More Opportunities to say “Yes!”

- Market Leading Coverage - Over 1,300 Top Selling SKUs

Exclusive Coverage

- Over 500 Dorman-only SKUs covering 190-million repair opportunities

The RIGHT Coverage

- Dorman’s experienced Window Regulator Team researches and develops the most failure prone applications

*Specific enhancements vary by application.
†As featured in original motor design.