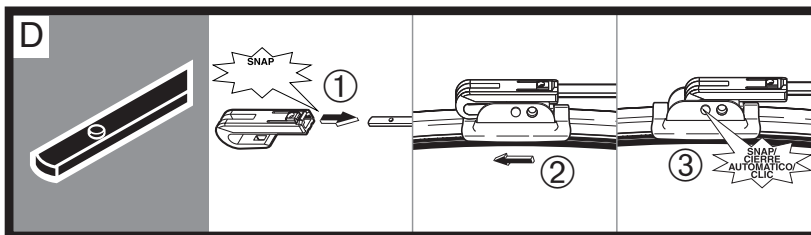
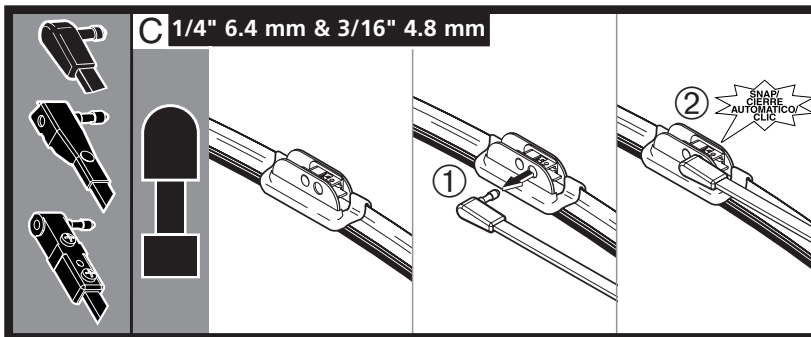
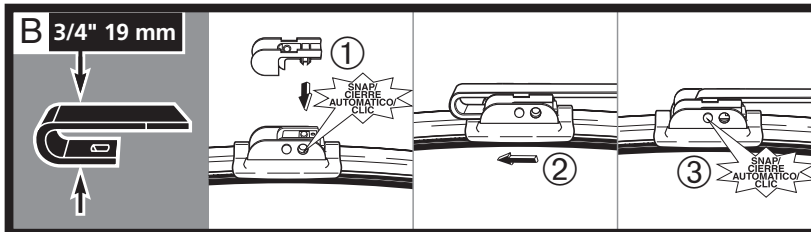
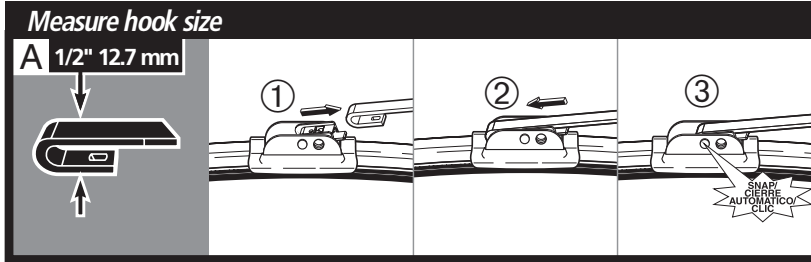


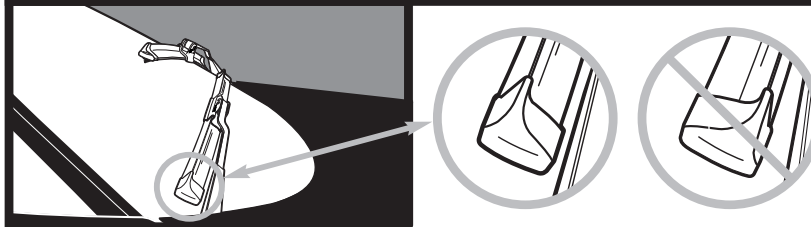
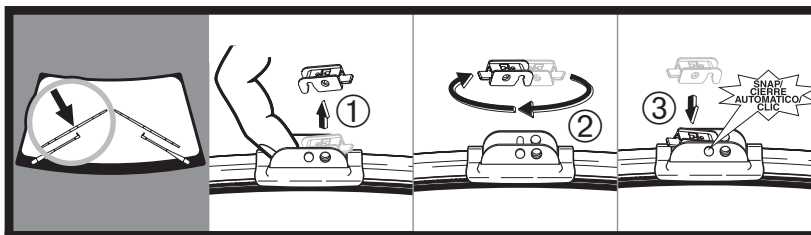
# INSTALLATION

Install blade to arm, unless grid below shows extra adapter required for arm type.



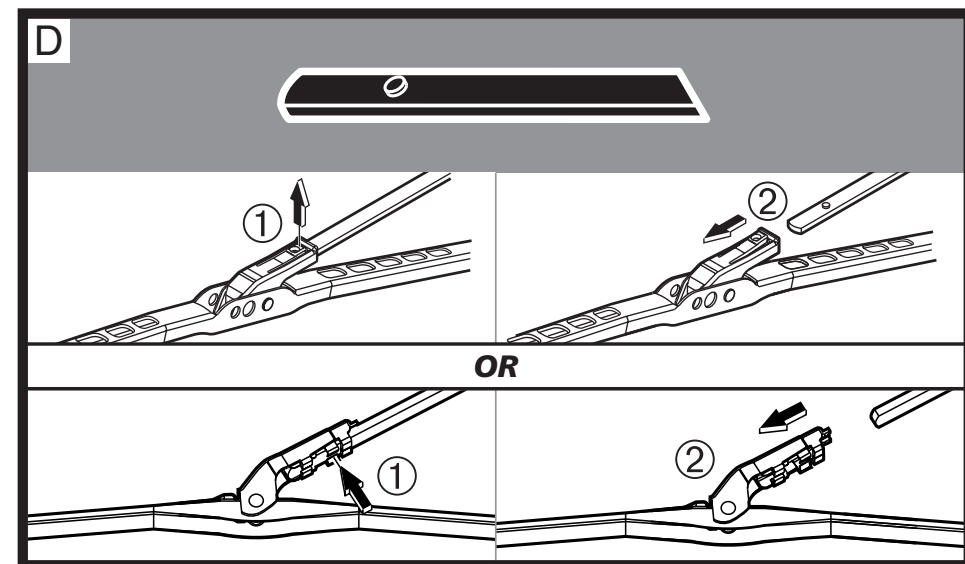
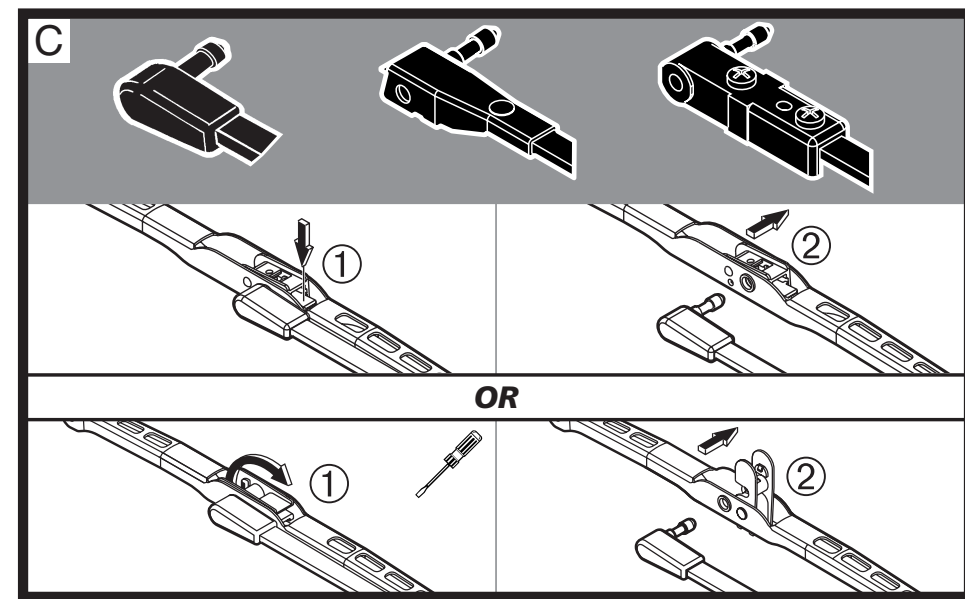
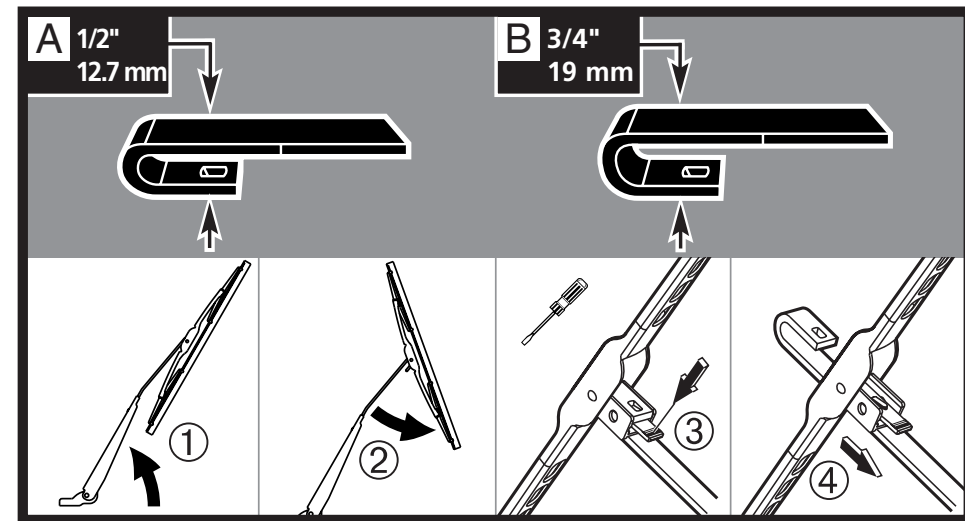
Blade Length		16	17	18	19	20	21	22	24	26	28
Adapters Included					B	B	B	B	B	B	
		D	D								

1 Inch	25.4 mm
3/4"	19 mm
1/2"	12.7 mm
1/4"	6.4 mm
3/16"	4.8 mm



# REMOVAL

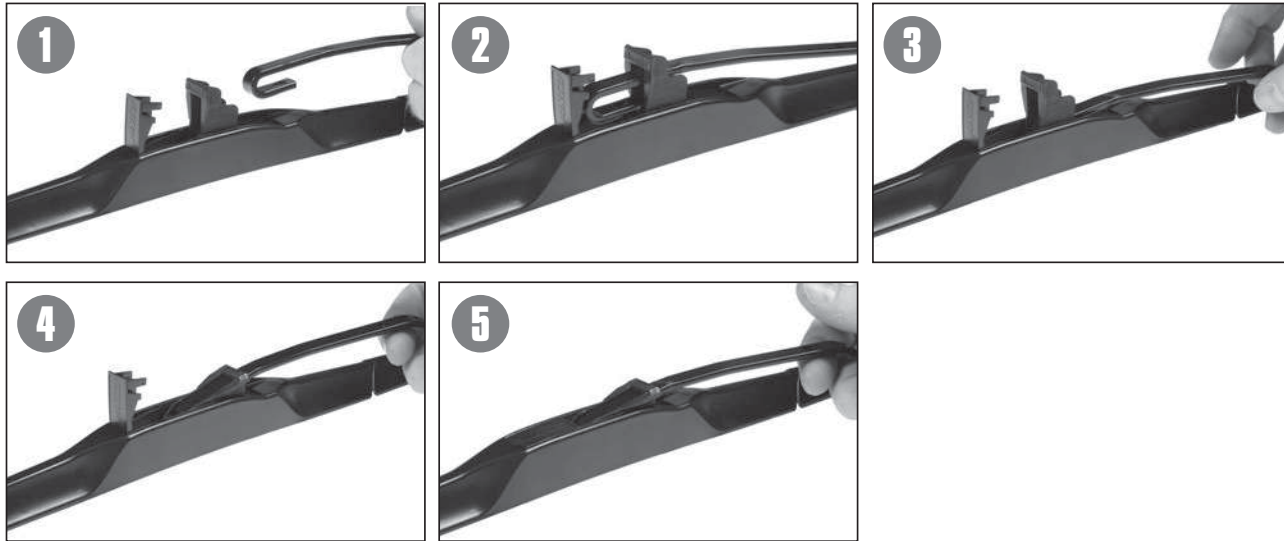
Identify arm type (A, B, C, or D) and follow easy steps to remove wiper blade.



## Hybrid Blade Assembly and Connection



**For Installations with a Standard Hook Connection...**



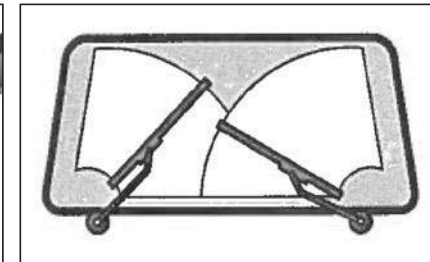
Remove the adapters shown for the following circumstances:



For hook arm with plastic beauty cap on top...



For the passenger side of an opposed wiper system...



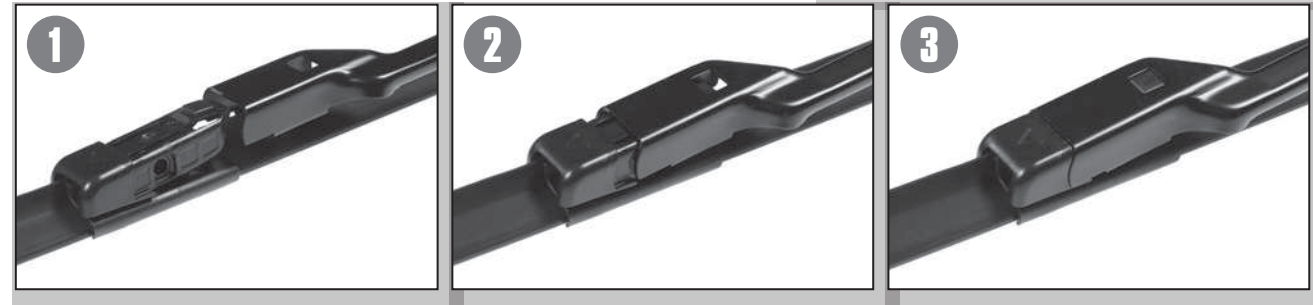
**Correct**

**Incorrect**

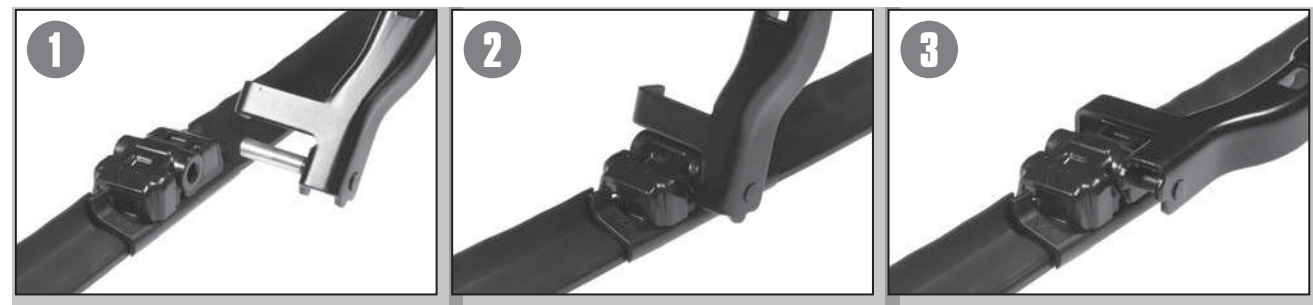
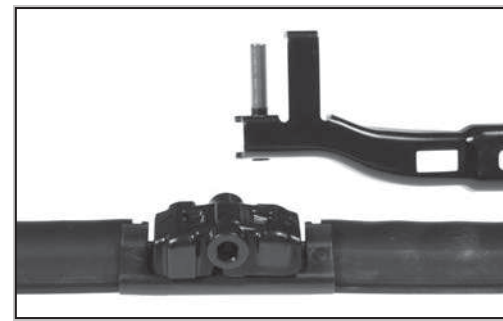


## Beam Blade Bayonet/Side Pin Assembly and Connection

**For Installations with a Bayonet Connection...**



**For Installations with a Side Pin Connection...**



# Beam Blade Pinch Tab/Top Lock Assembly and Connection

For Installations with a Pinch Tab Connection...

