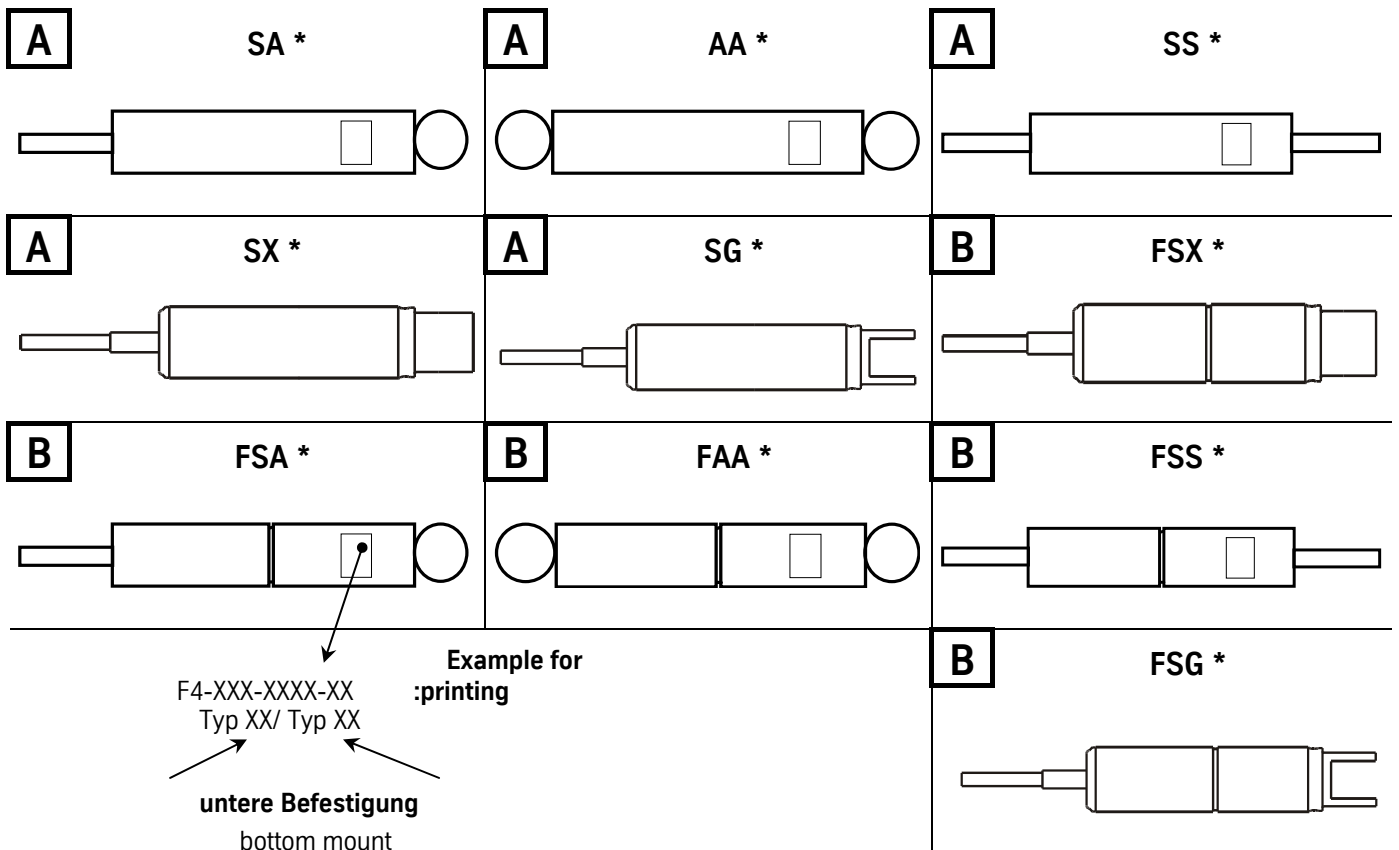




ALL DRAWINGS ARE GENERALIZED!
BRACKETS, ETC. SPECIFIC TO
STRUT ARE NOT SHOWN!

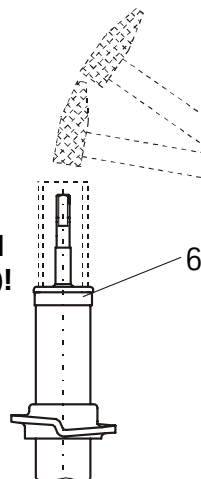
TYPES OF SHOCK ABSORBER

• siehe Typenliste S. 1/ see application guide side 1



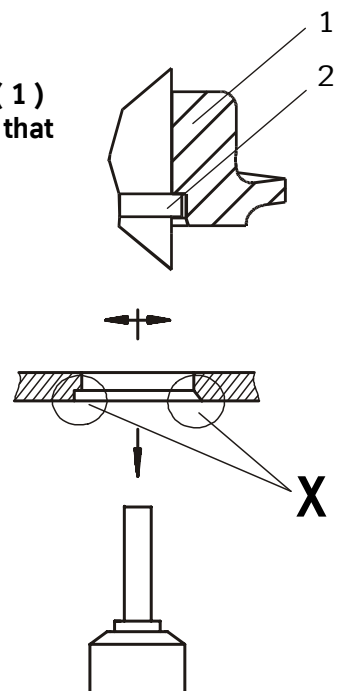
If no dust cover is delivered by BILSTEIN, original dust cover must be reused or replaced.

Do not damage the piston rod when knocking a top cap (6)!



When fitting the spring plate (1) care must be taken to ensure that the circlip ring (2) is seated correctly!

X = Fitting of plates with chamfer (if exist)





SPRING CARRIED SHOCK ABSORBER

(FSA *, FAA *, FSS *, FSX *)

1. BILSTEIN shock absorber with original spring
2. BILSTEIN shock absorber with BILSTEIN spring
3. Original shock absorber with BILSTEIN spring

Remove

Place vehicle on a chassis hoist,
lift it and remove wheels.



The lower control arm must be supported by suitable means!

Remove bottom mount.

Remove top fixing nuts from support bearing.
Do not remove centre nut at this time!

Remove complete shock absorber and
clamp it in an appropriate strut vice.

Compress suspension spring until tension on support bearing is released.

Release nut and remove original (mounting parts) just as original spring. Please check, which original mounting parts will be renewed with mounting parts supplied by BILSTEIN.

Fitting

Fit BILSTEIN and/ or original mounting parts just as the new BILSTEIN spring on the strut in reverse sequence of removal.



Before releasing the spring, care is to be taken to ensure that the ends of the spring rest in the cut outs of the top and bottom spring plates.

The mounting position of the suspension springs can be read by the imprint- have them installed just the way you read the imprint.

Fit assembled shock absorber to the vehicle in reverse sequence of removal. For to guarantee correct fitting of mounting parts, it is necessary to compare the Type- No, printed on damper-label with the charts on the following pages.

E4-WM5-Y217A00 MOUNTING INSTRUCTION



B

STANDARD SHOCK-ABSORBER

(SA *, AA *, SS *, SX *)

1. BILSTEIN shock absorber with original spring
2. BILSTEIN shock absorber with BILSTEIN spring
3. Original shock absorber with BILSTEIN spring

Removal

Place vehicle on a chassis hoist, lift it and remove wheels.

Remove bottom mount.



The lower control arm must be supported by suitable means!

Remove top fixing mount.

Remove shock absorber from vehicle.

Remove original mounting parts.

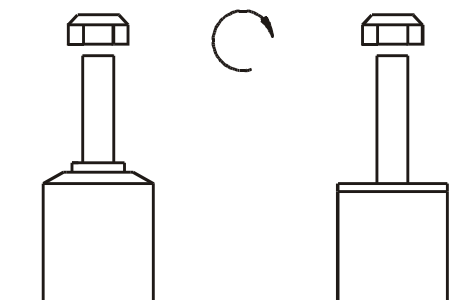
Installing

Fit BILSTEIN and/ or original mounting parts on shock absorber in reverse sequence of removal.

Fit assembled shock absorber to the vehicle in reverse sequence of removal. For to guarantee correct fitting of mounting parts, it is necessary to compare the Type- No, printed on damper- label with the charts on the following pages.

All self- locking nuts must be replaced.
Tightening torques see list below.

list of torques						
	M 8	M 10	M 12	M 14	M 16	Thread
	13	25	45	72	110	Torque Nm
	10	19	34	54	83	Torque ft lb



E4-WM5-Y217A00 MOUNTING INSTRUCTION



Typ1 OE Original Articulate - Original Equipment Original mounting parts	Typ2 	Typ3 	Typ4 	Typ5 	Typ6 	Typ7 	Typ8 	Typ9 	Typ10 	Typ11 	Typ12 	Typ13 	Typ14 	Typ15 	Typ16 	Typ17 	Typ18 	Typ19 	Typ20 	Typ21 	Typ22 	Typ23 	Typ24 	Typ25 	Typ26 	Typ27 	Typ28 	Typ29 	Typ30 	Typ31 	Typ32 	Typ33 	Typ34 	Typ35 	Typ36 	Typ37 	Typ38 	Typ39 	Typ40 	Typ41 	Typ42 	Typ43 	Typ44 	Typ45 	Typ46 	Typ47 	Typ48 	Typ49 	Typ50 	Typ51 	Typ52 	Typ53 	Typ54 	Typ55 	Typ56 	Typ57 	Typ58 	Typ59 	Typ60 	Typ61 	Typ62 	Typ63 	Typ64 	Typ65 	Typ66 	Typ67 	Typ68 	Typ69 	Typ70 	Typ71 	Typ72 	Typ73 	Typ74 	Typ75 	Typ76 	Typ77 	Typ78 	Typ79 	Typ80 	Typ81 	Typ82 	Typ83 	Typ84 	Typ85 	Typ86 	Typ87 	Typ88 	Typ89 	Typ90 	Typ91 	Typ92 	Typ93 	Typ94 	Typ95 	Typ96 	Typ97 	Typ98 	Typ99 	Typ100 	Typ101 	Typ102 	Typ103 	Typ104 	Typ105 	Typ106 	Typ107 	Typ108 	Typ109 	Typ110 	Typ111 	Typ112 	Typ113 	Typ114 	Typ115 	Typ116 	Typ117 	Typ118 	Typ119 	Typ120 	Typ121 	Typ122 	Typ123 	Typ124 	Typ125 	Typ126 	Typ127 	Typ128 	Typ129 	Typ130 	Typ131 	Typ132 	Typ133 	Typ134 	Typ135 	Typ136 	Typ137 	Typ138 	Typ139 	Typ140 	Typ141 	Typ142 	Typ143 	Typ144 	Typ145 	Typ146 	Typ147 	Typ148 	Typ149 	Typ150 	Typ151 	Typ152 	Typ153 	Typ154 	Typ155 	Typ156 	Typ157 	Typ158 	Typ159 	Typ160 	Typ161 	Typ162 	Typ163 	Typ164 	Typ165 	Typ166 	Typ167 	Typ168 	Typ169 	Typ170 	Typ171 	Typ172 	Typ173 	Typ174 	Typ175 	Typ176 	Typ177 	Typ178 	Typ179 	Typ180 	Typ181 	Typ182 	Typ183 	Typ184 	Typ185 	Typ186 	Typ187 	Typ188 	Typ189 	Typ190 	Typ191 	Typ192 	Typ193 	Typ194 	Typ195 	Typ196 	Typ197 	Typ198 	Typ199 	Typ200 	Typ201 	Typ202 	Typ203 	Typ204 	Typ205 	Typ206 	Typ207 	Typ208 	Typ209 	Typ210 	Typ211 	Typ212 	Typ213 	Typ214 	Typ215 	Typ216 	Typ217 	Typ218 	Typ219 	Typ220 	Typ221 	Typ222 	Typ223 	Typ224 	Typ225 	Typ226 	Typ227 	Typ228 	Typ229 	Typ230 	Typ231 	Typ232 	Typ233 	Typ234 	Typ235 	Typ236 	Typ237 	Typ238 	Typ239 	Typ240 	Typ241 	Typ242 	Typ243 	Typ244 	Typ245 	Typ246 	Typ247 	Typ248 	Typ249 	Typ250 	Typ251 	Typ252 	Typ253 	Typ254 	Typ255 	Typ256 	Typ257 	Typ258 	Typ259 	Typ260 	Typ261 	Typ262 	Typ263 	Typ264 	Typ265 	Typ266 	Typ267 	Typ268 	Typ269 	Typ270 	Typ271 	Typ272 	Typ273 	Typ274 	Typ275 	Typ276 	Typ277 	Typ278 	Typ279 	Typ280 	Typ281 	Typ282 	Typ283 	Typ284 	Typ285 	Typ286 	Typ287 	Typ288 	Typ289 	Typ290 	Typ291 	Typ292 	Typ293 	Typ294 	Typ295 	Typ296 	Typ297 	Typ298 	Typ299 	Typ300 	Typ301 	Typ302 	Typ303 	Typ304 	Typ305 	Typ306 	Typ307 	Typ308 	Typ309 	Typ310 	Typ311 	Typ312 	Typ313 	Typ314 	Typ315 	Typ316 	Typ317 	Typ318 	Typ319 	Typ320 	Typ321 	Typ322 	Typ323 	Typ324 	Typ325 	Typ326 	Typ327 	Typ328 	Typ329 	Typ330 	Typ331 	Typ332 	Typ333 	Typ334 	Typ335 	Typ336 	Typ337 	Typ338 	Typ339 	Typ340 	Typ341 	Typ342 	Typ343 	Typ344 	Typ345 	Typ346 	Typ347 	Typ348 	Typ349 	Typ350 	Typ351 	Typ352 	Typ353 	Typ354 	Typ355 	Typ356 	Typ357 	Typ358 	Typ359 	Typ360 	Typ361 	Typ362 	Typ363 	Typ364 	Typ365 	Typ366 	Typ367 	Typ368 	Typ369 	Typ370 	Typ371 	Typ372 	Typ373 	Typ374 	Typ375 	Typ376 	Typ377 	Typ378 	Typ379 	Typ380 	Typ381 	Typ382 	Typ383 	Typ384 	Typ385 	Typ386 	Typ387 	Typ388 	Typ389 	Typ390 	Typ391 	Typ392 	Typ393 	Typ394 	Typ395 	Typ396 	Typ397 	Typ398 	Typ399 	Typ400 	Typ401 	Typ402 	Typ403 	Typ404 	Typ405 	Typ406 	Typ407 	Typ408 	Typ409 	Typ410 	Typ411 	Typ412 	Typ413 	Typ414 	Typ415 	Typ416 	Typ417 	Typ418 	Typ419 	Typ420 	Typ421 	Typ422 	Typ423 	Typ424 	Typ425 	Typ426 	Typ427 	Typ428 	Typ429 	Typ430 	Typ431 	Typ432 	Typ433 	Typ434 	Typ435 	Typ436 	Typ437 	Typ438 	Typ439 	Typ440 	Typ441 	Typ442 	Typ443 	Typ444 	Typ445 	Typ446 	Typ447 	Typ448 	Typ449 	Typ450 	Typ451 	Typ452 	Typ453 	Typ454 	Typ455 	Typ456 	Typ457 	Typ458 	Typ459 	Typ460 	Typ461 	Typ462 	Typ463 	Typ464 	Typ465 	Typ466 	Typ467 	Typ468 	Typ469 	Typ470 	Typ471 	Typ472 	Typ473 	Typ474 	Typ475 	Typ476 	Typ477 	Typ478 	Typ479 	Typ480 	Typ481 	Typ482 	Typ483 	Typ484 	Typ485 	Typ486 	Typ487 	Typ488 	Typ489 	Typ490 	Typ491 	Typ492 	Typ493 	Typ494 	Typ495 	Typ496 	Typ497 	Typ498 	Typ499 	Typ500 	Typ501 	Typ502 	Typ503 	Typ504 	Typ505 	Typ506 	Typ507 	Typ508 	Typ509 	Typ510 	Typ511 	Typ512 	Typ513 	Typ514 	Typ515 	Typ516 	Typ517 	Typ518 	Typ519 	Typ520 	Typ521 	Typ522 	Typ523 	Typ524 	Typ525 	Typ526 	Typ527 	Typ528 	Typ529 	Typ530 	Typ531 	Typ532 	Typ533 	Typ534 	Typ535 	Typ536 	Typ537 	Typ538 	Typ539 	Typ540 	Typ541 	Typ542 	Typ543 	Typ544 	Typ545 	Typ546 	Typ547 	Typ548 	Typ549 	Typ550 	Typ551 	Typ552 	Typ553 	Typ554 	Typ555 	Typ556 	Typ557 	Typ558 	Typ559 	Typ560 	Typ561 	Typ562 	Typ563 	Typ564 	Typ565 	Typ566 	Typ567 	Typ568 	Typ569 	Typ570 	Typ571 	Typ572 	Typ573 	Typ574 	Typ575 	Typ576 	Typ577 	Typ578 	Typ579 	Typ580 	Typ581 	Typ582 	Typ583 	Typ584 	Typ585 	Typ586 	Typ587 	Typ588 	Typ589 	Typ590 	Typ591 	Typ592 	Typ593 	Typ594 	Typ595 	Typ596 	Typ597 	Typ598 	Typ599 	Typ600 	Typ601 	Typ602 	Typ603 	Typ604 	Typ605 	Typ606 	Typ607 	Typ608 	Typ609 	Typ610 	Typ611 	Typ612 	Typ613 	Typ614 	Typ615 	Typ616 	Typ617 	Typ618 	Typ619 	Typ620 	Typ621 	Typ622 	Typ623
---	----------	----------	----------	----------	----------	----------	----------	----------	-----------	-----------	-----------	-----------	-----------	-----------	-----------	-----------	-----------	-----------	-----------	-----------	-----------	-----------	-----------	-----------	-----------	-----------	-----------	-----------	-----------	-----------	-----------	-----------	-----------	-----------	-----------	-----------	-----------	-----------	-----------	-----------	-----------	-----------	-----------	-----------	-----------	-----------	-----------	-----------	-----------	-----------	-----------	-----------	-----------	-----------	-----------	-----------	-----------	-----------	-----------	-----------	-----------	-----------	-----------	-----------	-----------	-----------	-----------	-----------	-----------	-----------	-----------	-----------	-----------	-----------	-----------	-----------	-----------	-----------	-----------	-----------	-----------	-----------	-----------	-----------	-----------	-----------	-----------	-----------	-----------	-----------	-----------	-----------	-----------	-----------	-----------	-----------	-----------	-----------	------------	------------	------------	------------	------------	------------	------------	------------	------------	------------	------------	------------	------------	------------	------------	------------	------------	------------	------------	------------	------------	------------	------------	------------	------------	------------	------------	------------	------------	------------	------------	------------	------------	------------	------------	------------	------------	------------	------------	------------	------------	------------	------------	------------	------------	------------	------------	------------	------------	------------	------------	------------	------------	------------	------------	------------	------------	------------	------------	------------	------------	------------	------------	------------	------------	------------	------------	------------	------------	------------	------------	------------	------------	------------	------------	------------	------------	------------	------------	------------	------------	------------	------------	------------	------------	------------	------------	------------	------------	------------	------------	------------	------------	------------	------------	------------	------------	------------	------------	------------	------------	------------	------------	------------	------------	------------	------------	------------	------------	------------	------------	------------	------------	------------	------------	------------	------------	------------	------------	------------	------------	------------	------------	------------	------------	------------	------------	------------	------------	------------	------------	------------	------------	------------	------------	------------	------------	------------	------------	------------	------------	------------	------------	------------	------------	------------	------------	------------	------------	------------	------------	------------	------------	------------	------------	------------	------------	------------	------------	------------	------------	------------	------------	------------	------------	------------	------------	------------	------------	------------	------------	------------	------------	------------	------------	------------	------------	------------	------------	------------	------------	------------	------------	------------	------------	------------	------------	------------	------------	------------	------------	------------	------------	------------	------------	------------	------------	------------	------------	------------	------------	------------	------------	------------	------------	------------	------------	------------	------------	------------	------------	------------	------------	------------	------------	------------	------------	------------	------------	------------	------------	------------	------------	------------	------------	------------	------------	------------	------------	------------	------------	------------	------------	------------	------------	------------	------------	------------	------------	------------	------------	------------	------------	------------	------------	------------	------------	------------	------------	------------	------------	------------	------------	------------	------------	------------	------------	------------	------------	------------	------------	------------	------------	------------	------------	------------	------------	------------	------------	------------	------------	------------	------------	------------	------------	------------	------------	------------	------------	------------	------------	------------	------------	------------	------------	------------	------------	------------	------------	------------	------------	------------	------------	------------	------------	------------	------------	------------	------------	------------	------------	------------	------------	------------	------------	------------	------------	------------	------------	------------	------------	------------	------------	------------	------------	------------	------------	------------	------------	------------	------------	------------	------------	------------	------------	------------	------------	------------	------------	------------	------------	------------	------------	------------	------------	------------	------------	------------	------------	------------	------------	------------	------------	------------	------------	------------	------------	------------	------------	------------	------------	------------	------------	------------	------------	------------	------------	------------	------------	------------	------------	------------	------------	------------	------------	------------	------------	------------	------------	------------	------------	------------	------------	------------	------------	------------	------------	------------	------------	------------	------------	------------	------------	------------	------------	------------	------------	------------	------------	------------	------------	------------	------------	------------	------------	------------	------------	------------	------------	------------	------------	------------	------------	------------	------------	------------	------------	------------	------------	------------	------------	------------	------------	------------	------------	------------	------------	------------	------------	------------	------------	------------	------------	------------	------------	------------	------------	------------	------------	------------	------------	------------	------------	------------	------------	------------	------------	------------	------------	------------	------------	------------	------------	------------	------------	------------	------------	------------	------------	------------	------------	------------	------------	------------	------------	------------	------------	------------	------------	------------	------------	------------	------------	------------	------------	------------	------------	------------	------------	------------	------------	------------	------------	------------	------------	------------	------------	------------	------------	------------	------------	------------	------------	------------	------------	------------	------------	------------	------------	------------	------------	------------	------------	------------	------------	------------	------------	------------	------------	------------	------------	------------	------------	------------	------------	------------	------------	------------	------------	------------	------------	------------	------------	------------	------------	------------	------------	------------	------------	------------	------------	------------	------------	------------