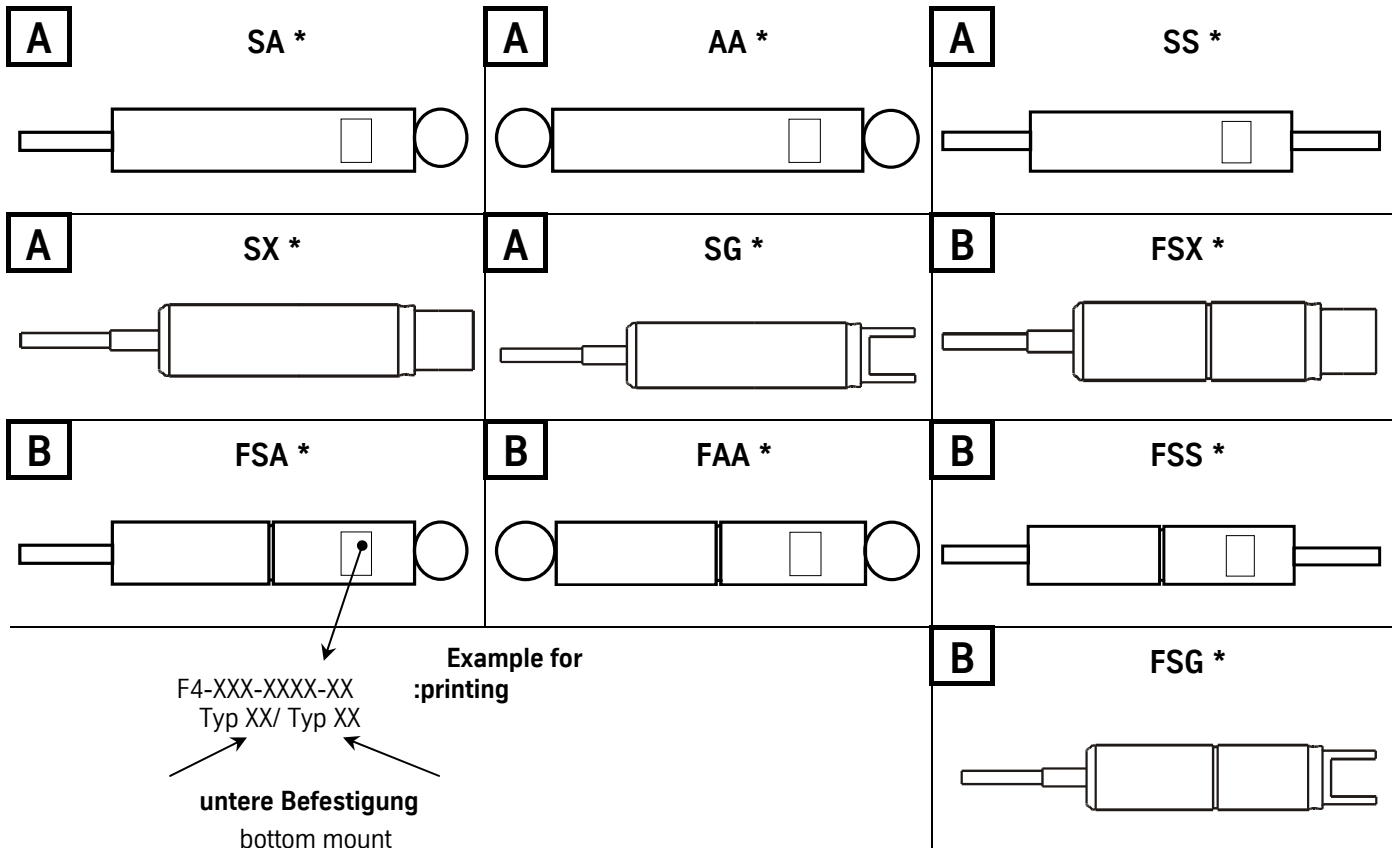




ALL DRAWINGS ARE GENERALIZED!
BRACKETS, ETC. SPECIFIC TO
STRUT ARE NOT SHOWN!

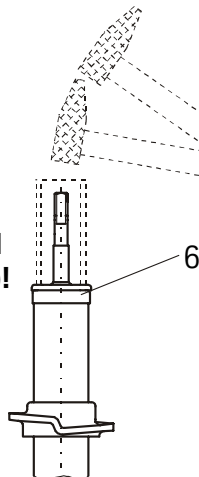
TYPES OF SHOCK ABSORBER

• siehe Typenliste S. 1/ see application guide side 1



If no dust cover is delivered by BILSTEIN, original dust cover must be reused or replaced.

Do not damage the piston rod when knocking a top cap (6)!



When fitting the spring plate (1) care must be taken to ensure that the circlip ring (2) is seated correctly!

X = Fitting of plates with chamfer (if exist)





A SPRING CARRIED SHOCK ABSORBER

(FSA *, FAA *, FSS *, FSX *)

1. BILSTEIN shock absorber with original spring
2. BILSTEIN shock absorber with BILSTEIN spring
3. Original shock absorber with BILSTEIN spring

Remove

Place vehicle on a chassis hoist,
lift it and remove wheels.



The lower control arm must be supported by suitable means!

Remove bottom mount.

Remove top fixing nuts from support bearing.
Do not remove centre nut at this time!

Remove complete shock absorber and
clamp it in an appropriate strut vice.

Compress suspension spring until tension on support bearing is released.

Release nut and remove original (mounting parts) just as original spring. Please check, which original mounting parts will be renewed with mounting parts supplied by BILSTEIN.

Fitting

Fit BILSTEIN and/ or original mounting parts just as the new BILSTEIN spring on the strut in reverse sequence of removal.



Before releasing the spring, care is to be taken to ensure that the ends of the spring rest in the cut outs of the top and bottom spring plates.

The mounting position of the suspension springs can be read by the imprint- have them installed just the way you read the imprint.

Fit assembled shock absorber to the vehicle in reverse sequence of removal. For to guarantee correct fitting of mounting parts, it is necessary to compare the Type- No, printed on damper-label with the charts on the following pages.

E4-WM5-Y217A00 MOUNTING INSTRUCTION



B

STANDARD SHOCK-ABSORBER

(SA *, AA *, SS *, SX *)

1. BILSTEIN shock absorber with original spring
2. BILSTEIN shock absorber with BILSTEIN spring
3. Original shock absorber with BILSTEIN spring

Removal

Place vehicle on a chassis hoist, lift it and remove wheels.

Remove bottom mount.



The lower control arm must be supported by suitable means!

Remove top fixing mount.

Remove shock absorber from vehicle.

Remove original mounting parts.

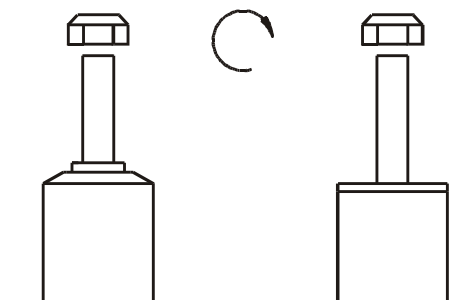
Installing

Fit BILSTEIN and/ or original mounting parts on shock absorber in reverse sequence of removal.

Fit assembled shock absorber to the vehicle in reverse sequence of removal. For to guarantee correct fitting of mounting parts, it is necessary to compare the Type- No, printed on damper- label with the charts on the following pages.

All self- locking nuts must be replaced.
Tightening torques see list below.

list of torques						
	M 8	M 10	M 12	M 14	M 16	Thread
	13	25	45	72	110	Torque Nm
	10	19	34	54	83	Torque ft lb



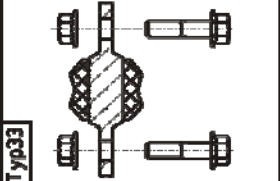
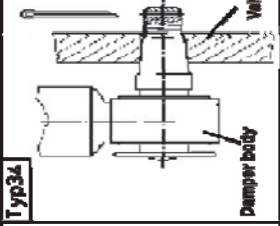
E4-WM5-Y217A00

MOUNTING INSTRUCTION



Typ1	<p>OE Original Anbauteile - Original Equipment Original mounting parts</p>	Typ11	Typ12	Typ13	Typ2	Typ3	Typ4	Typ5	Typ6	Typ7	Typ8	Typ9	Typ10	Typ11	Typ12	Typ13	Typ14	Typ15	Typ16	Typ17	Typ18	Typ19	Typ20	Typ21	Typ22	Typ23	Typ24	Typ25	Typ26
Typ27	Typ28	Typ29	Typ30	Typ31	Typ32	Typ33	Typ34	Typ35	Typ36	Typ37	Typ38	Typ39	Typ40	Typ41	Typ42	Typ43	Typ44	Typ45	Typ46	Typ47	Typ48	Typ49	Typ50	Typ51	Typ52	Typ53	Typ54	Typ55	Typ56

Shotted nut
torque to min.
48 Nm (35 lb/ft)
and insert cotter pin



DC "G"- Typ
Bei Fahrzeugen mit
Kurzchassis entfallen die
beiden Scheiben ø 22/ 5 dick

