

E4-WM5-Y132A01

MOUNTING INSTRUCTION



Before installation please observe the following points:

- Read all information in this manual carefully.
All suspension components are fitted and removed acc. to the manufacturer's specifications for fitting and removing, if not otherwise required in these instructions.
- Check that dimensions and fastening points are comparable between the original and Bilstein shock absorbers.
- Directional references (left, right, front, rear) are always with reference to the driving direction.
- The test vehicles are left- hand drive cars.

After installation please observe the following points:

- After installing the suspension system, caster and camber must be checked and adjusted according to manufacturer's specifications.
Check and reset load- dependent brake compensator and ABS system according to manufacturer's specifications.
- Check and adjust headlight aim.
- Because the vehicle has been lowered, freedom of movement for all wheel-/ tire- combinations must be checked.
- All rubber- mounted strut/ damper attachments must not be fully tightened until AFTER the suspension system is loaded (wheels on the ground). Other mounting fasteners (for example brackets) must be securely tightened BEFORE load is placed on the suspension system.

E4-WM5-Y132A01

MOUNTING INSTRUCTION



Removal

Place vehicle on a chassis hoist, lift it and remove wheels.

Vehicles equipped **with xenon headlight** the sensor for the headlamp levelling controller must be removed before.



The lower control arm must be supported by suitable means!

Remove bottom mount.

Remove top fixing nuts from support bearing. Do not remove central nut at this time!

Remove complete shock absorber and clamp it in an appropriate strut vice.

Using a suitable spring compressor, compress suspension spring until tension on support bearing is released.

Release central nut and remove original mounting parts and coil spring. Please refer to diagram to identify which parts will be replaced with BILSTEIN-supplied components.

Install

Assemble BILSTEIN and/ or original mounting parts, as well as the new BILSTEIN spring on the BILSTEIN shock absorber in reverse sequence of removal.



Before releasing the spring, care is to be taken to ensure that the spring rests in the cut outs of top and bottom spring plate!

The correct mounting position of the suspension springs can be determined by the printing on the springs; install them with the print upright.

Fit assembled BILSTEIN shock absorber to the vehicle in reverse sequence of removal.

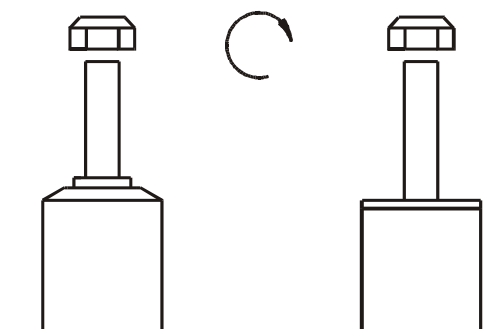
E4-WM5-Y132A01

MOUNTING INSTRUCTION



- **list of torques**

	M 8	M 10	M 12	M 14	M 16	Thread
	13	25	45	72	110	Torque Nm
	10	19	34	54	83	Torque ft lb



**Do not use an impact tool to loosen or tighten fasteners due to possible damage to the product.
Self- locking nuts must only be used once!**

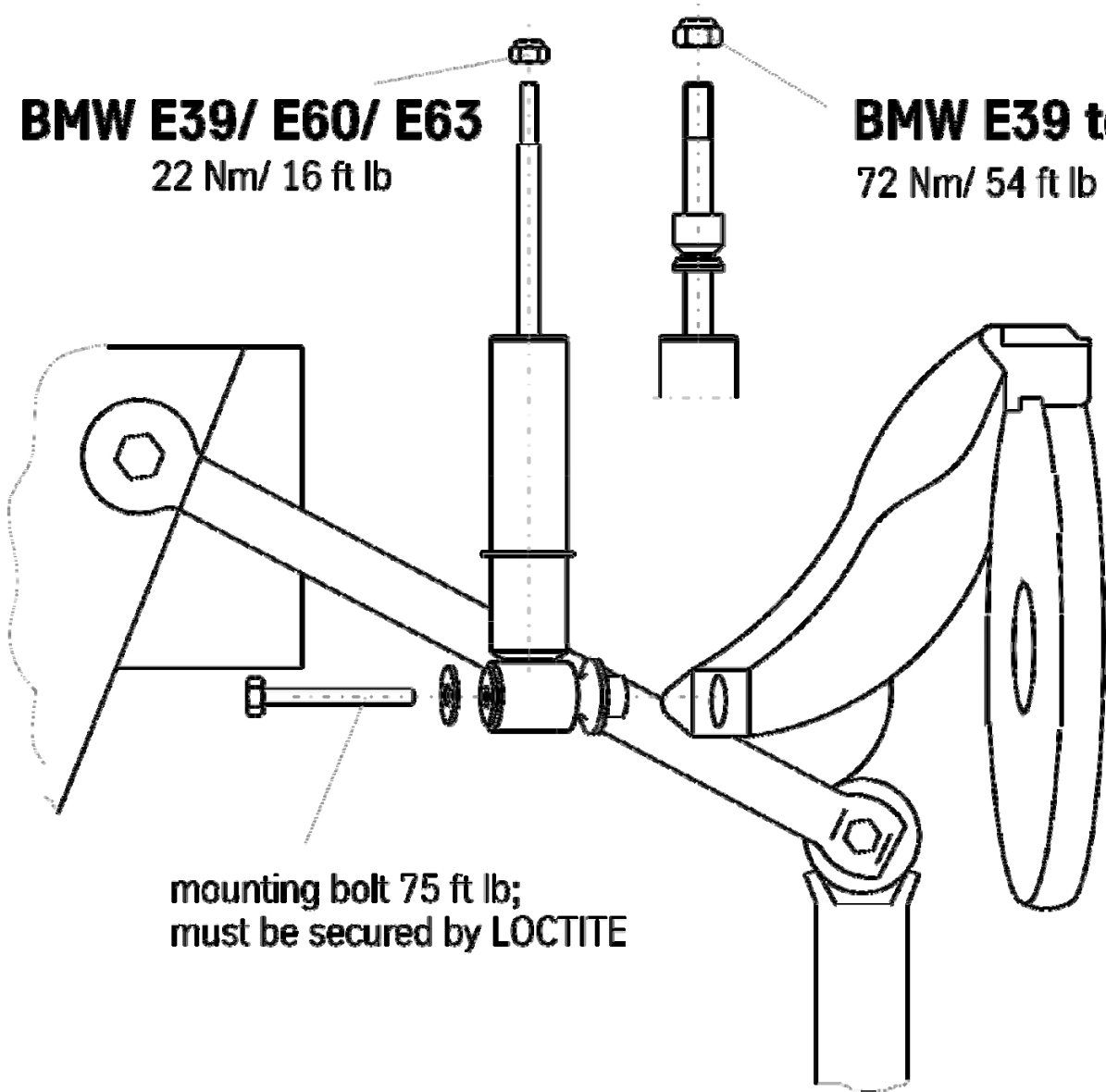
ALL DIAGRAMS ARE GENERALIZED AND NOT TO SCALE!
BRACKETS, ETC. SPECIFIC TO STRUT ARE NOT SHOWN!

E4-WM5-Y132A01
MOUNTING INSTRUCTION



BMW E39/ E60/ E63
22 Nm/ 16 ft lb

BMW E39 touring
72 Nm/ 54 ft lb



mounting bolt 75 ft lb;
must be secured by LOCTITE