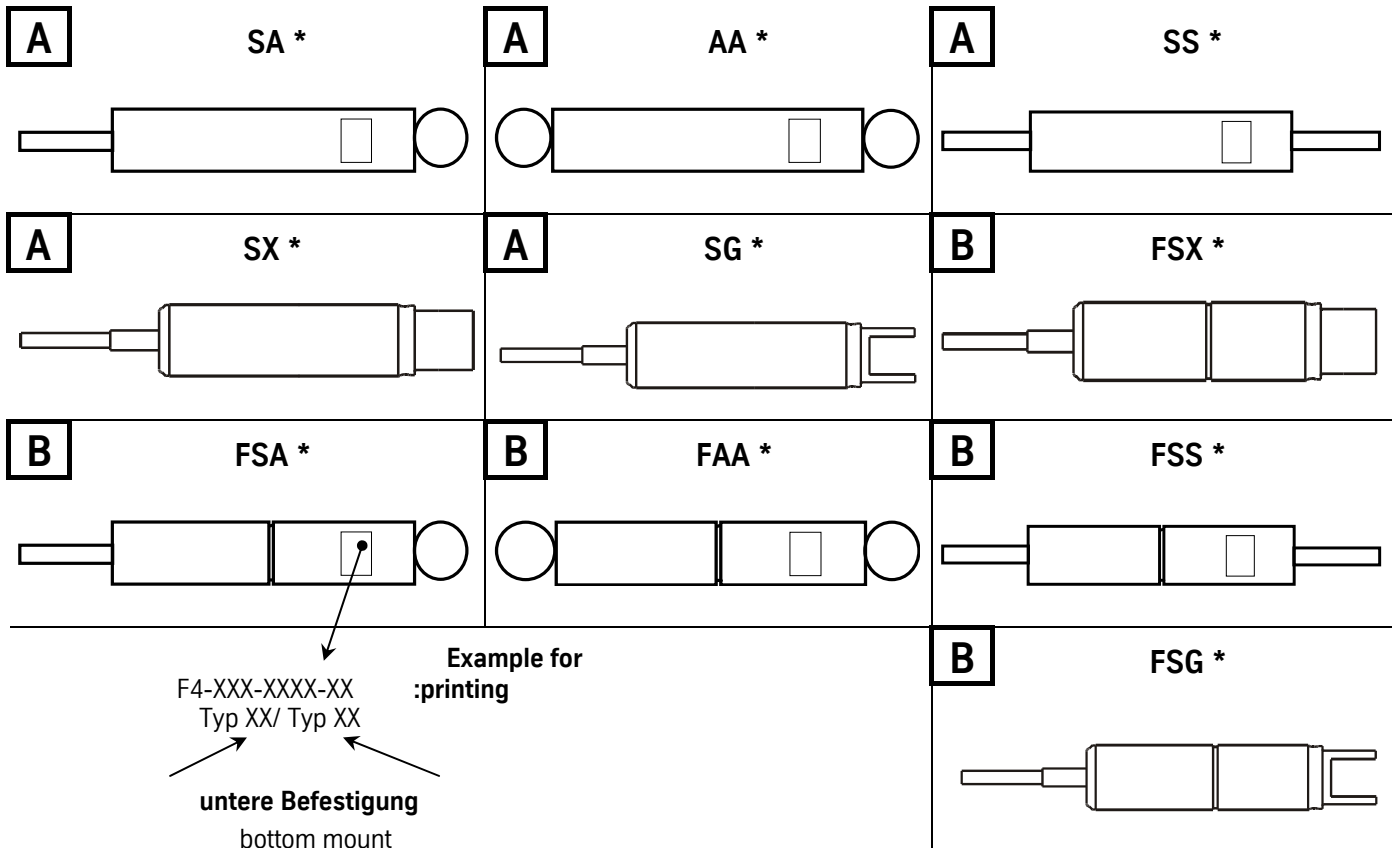




ALL DRAWINGS ARE GENERALIZED!
BRACKETS, ETC. SPECIFIC TO
STRUT ARE NOT SHOWN!

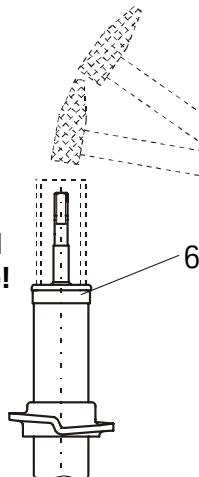
TYPES OF SHOCK ABSORBER

• siehe Typenliste S. 1/ see application guide side 1



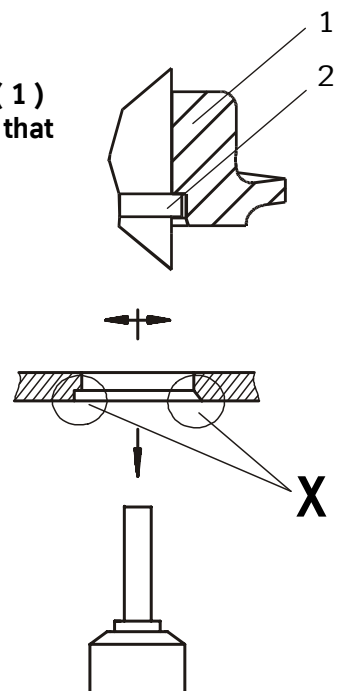
If no dust cover is delivered by BILSTEIN,
original dust cover must be reused
or replaced.

Do not damage the piston rod
when knocking a top cap (6)!



When fitting the spring plate (1)
care must be taken to ensure that
the circlip ring (2) is seated
correctly!

X = Fitting of plates with
chamfer (if exist)





A SPRING CARRIED SHOCK ABSORBER

(FSA *, FAA *, FSS *, FSX *)

1. BILSTEIN shock absorber with original spring
2. BILSTEIN shock absorber with BILSTEIN spring
3. Original shock absorber with BILSTEIN spring

Remove

Place vehicle on a chassis hoist,
lift it and remove wheels.



The lower control arm must be supported by suitable means!

Remove bottom mount.

Remove top fixing nuts from support bearing.
Do not remove centre nut at this time!

Remove complete shock absorber and
clamp it in an appropriate strut vice.

Compress suspension spring until tension on support bearing is released.

Release nut and remove original (mounting parts) just as original spring. Please check, which original mounting parts will be renewed with mounting parts supplied by BILSTEIN.

Fitting

Fit BILSTEIN and/ or original mounting parts just as the new BILSTEIN spring on the strut in reverse sequence of removal.



Before releasing the spring, care is to be taken to ensure that the ends of the spring rest in the cut outs of the top and bottom spring plates.

The mounting position of the suspension springs can be read by the imprint- have them installed just the way you read the imprint.

Fit assembled shock absorber to the vehicle in reverse sequence of removal. For to guarantee correct fitting of mounting parts, it is necessary to compare the Type- No, printed on damper-label with the charts on the following pages.

E4-WM5-Y217A00 MOUNTING INSTRUCTION



B

STANDARD SHOCK-ABSORBER

(SA *, AA *, SS *, SX *)

1. BILSTEIN shock absorber with original spring
2. BILSTEIN shock absorber with BILSTEIN spring
3. Original shock absorber with BILSTEIN spring

Removal

Place vehicle on a chassis hoist, lift it and remove wheels.

Remove bottom mount.



The lower control arm must be supported by suitable means!

Remove top fixing mount.

Remove shock absorber from vehicle.

Remove original mounting parts.

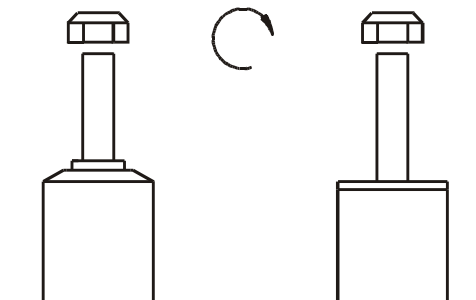
Installing

Fit BILSTEIN and/ or original mounting parts on shock absorber in reverse sequence of removal.

Fit assembled shock absorber to the vehicle in reverse sequence of removal. For to guarantee correct fitting of mounting parts, it is necessary to compare the Type- No, printed on damper- label with the charts on the following pages.

All self- locking nuts must be replaced.
Tightening torques see list below.

list of torques						
	M 8	M 10	M 12	M 14	M 16	Thread
	13	25	45	72	110	Torque Nm
	10	19	34	54	83	Torque ft lb



E4-WM5-Y217A00 MOUNTING INSTRUCTION



Typ1 OE Original Automobile - Original Equipment Original mounting parts	Typ2	Typ3	Typ4	Typ5	Typ6	Typ7	Typ8	Typ9	Typ10	Typ11	Typ12	Typ13	Typ14	Typ15	Typ16	Typ17	Typ18	Typ19	Typ20	Typ21	Typ22	Typ23	Typ24	Typ25	Typ26	Typ27	Typ28	Typ29	Typ30	Typ31	Typ32	Typ33	Typ34	Typ35	Typ36	Typ37	Typ38	Typ39	Typ40	Typ41	Typ42	Typ43	Typ44	Typ45	Typ46	Typ47	Typ48	Typ49	Typ50	Typ51	Typ52	Typ53	Typ54	Typ55	Typ56	Typ57	Typ58	Typ59	Typ60	Typ61	Typ62	Typ63	Typ64	Typ65	Typ66	Typ67	Typ68	Typ69	Typ70	Typ71	Typ72	Typ73	Typ74	Typ75	Typ76	Typ77	Typ78	Typ79	Typ80	Typ81	Typ82	Typ83	Typ84	Typ85	Typ86	Typ87	Typ88	Typ89	Typ90	Typ91	Typ92	Typ93	Typ94	Typ95	Typ96	Typ97	Typ98	Typ99	Typ100	Typ101	Typ102	Typ103	Typ104	Typ105	Typ106	Typ107	Typ108	Typ109	Typ110	Typ111	Typ112	Typ113	Typ114	Typ115	Typ116	Typ117	Typ118	Typ119	Typ120	Typ121	Typ122	Typ123	Typ124	Typ125	Typ126	Typ127	Typ128	Typ129	Typ130	Typ131	Typ132	Typ133	Typ134	Typ135	Typ136	Typ137	Typ138	Typ139	Typ140	Typ141	Typ142	Typ143	Typ144	Typ145	Typ146	Typ147	Typ148	Typ149	Typ150	Typ151	Typ152	Typ153	Typ154	Typ155	Typ156	Typ157	Typ158	Typ159	Typ160	Typ161	Typ162	Typ163	Typ164	Typ165	Typ166	Typ167	Typ168	Typ169	Typ170	Typ171	Typ172	Typ173	Typ174	Typ175	Typ176	Typ177	Typ178	Typ179	Typ180	Typ181	Typ182	Typ183	Typ184	Typ185	Typ186	Typ187	Typ188	Typ189	Typ190	Typ191	Typ192	Typ193	Typ194	Typ195	Typ196	Typ197	Typ198	Typ199	Typ200	Typ201	Typ202	Typ203	Typ204	Typ205	Typ206	Typ207	Typ208	Typ209	Typ210	Typ211	Typ212	Typ213	Typ214	Typ215	Typ216	Typ217	Typ218	Typ219	Typ220	Typ221	Typ222	Typ223	Typ224	Typ225	Typ226	Typ227	Typ228	Typ229	Typ230	Typ231	Typ232	Typ233	Typ234	Typ235	Typ236	Typ237	Typ238	Typ239	Typ240	Typ241	Typ242	Typ243	Typ244	Typ245	Typ246	Typ247	Typ248	Typ249	Typ250	Typ251	Typ252	Typ253	Typ254	Typ255	Typ256	Typ257	Typ258	Typ259	Typ260	Typ261	Typ262	Typ263	Typ264	Typ265	Typ266	Typ267	Typ268	Typ269	Typ270	Typ271	Typ272	Typ273	Typ274	Typ275	Typ276	Typ277	Typ278	Typ279	Typ280	Typ281	Typ282	Typ283	Typ284	Typ285	Typ286	Typ287	Typ288	Typ289	Typ290	Typ291	Typ292	Typ293	Typ294	Typ295	Typ296	Typ297	Typ298	Typ299	Typ300	Typ301	Typ302	Typ303	Typ304	Typ305	Typ306	Typ307	Typ308	Typ309	Typ310	Typ311	Typ312	Typ313	Typ314	Typ315	Typ316	Typ317	Typ318	Typ319	Typ320	Typ321	Typ322	Typ323	Typ324	Typ325	Typ326	Typ327	Typ328	Typ329	Typ330	Typ331	Typ332	Typ333	Typ334	Typ335	Typ336	Typ337	Typ338	Typ339	Typ340	Typ341	Typ342	Typ343	Typ344	Typ345	Typ346	Typ347	Typ348	Typ349	Typ350	Typ351	Typ352	Typ353	Typ354	Typ355	Typ356	Typ357	Typ358	Typ359	Typ360	Typ361	Typ362	Typ363	Typ364	Typ365	Typ366	Typ367	Typ368	Typ369	Typ370	Typ371	Typ372	Typ373	Typ374	Typ375	Typ376	Typ377	Typ378	Typ379	Typ380	Typ381	Typ382	Typ383	Typ384	Typ385	Typ386	Typ387	Typ388	Typ389	Typ390	Typ391	Typ392	Typ393	Typ394	Typ395	Typ396	Typ397	Typ398	Typ399	Typ400	Typ401	Typ402	Typ403	Typ404	Typ405	Typ406	Typ407	Typ408	Typ409	Typ410	Typ411	Typ412	Typ413	Typ414	Typ415	Typ416	Typ417	Typ418	Typ419	Typ420	Typ421	Typ422	Typ423	Typ424	Typ425	Typ426	Typ427	Typ428	Typ429	Typ430	Typ431	Typ432	Typ433	Typ434	Typ435	Typ436	Typ437	Typ438	Typ439	Typ440	Typ441	Typ442	Typ443	Typ444	Typ445	Typ446	Typ447	Typ448	Typ449	Typ450	Typ451	Typ452	Typ453	Typ454	Typ455	Typ456	Typ457	Typ458	Typ459	Typ460	Typ461	Typ462	Typ463	Typ464	Typ465	Typ466	Typ467	Typ468	Typ469	Typ470	Typ471	Typ472	Typ473	Typ474	Typ475	Typ476	Typ477	Typ478	Typ479	Typ480	Typ481	Typ482	Typ483	Typ484	Typ485	Typ486	Typ487	Typ488	Typ489	Typ490	Typ491	Typ492	Typ493	Typ494	Typ495	Typ496	Typ497	Typ498	Typ499	Typ500	Typ501	Typ502	Typ503	Typ504	Typ505	Typ506	Typ507	Typ508	Typ509	Typ510	Typ511	Typ512	Typ513	Typ514	Typ515	Typ516	Typ517	Typ518	Typ519	Typ520	Typ521	Typ522	Typ523	Typ524	Typ525	Typ526	Typ527	Typ528	Typ529	Typ530	Typ531	Typ532	Typ533	Typ534	Typ535	Typ536	Typ537	Typ538	Typ539	Typ540	Typ541	Typ542	Typ543	Typ544	Typ545	Typ546	Typ547	Typ548	Typ549	Typ550	Typ551	Typ552	Typ553	Typ554	Typ555	Typ556	Typ557	Typ558	Typ559	Typ560	Typ561	Typ562	Typ563	Typ564	Typ565	Typ566	Typ567	Typ568	Typ569	Typ570	Typ571	Typ572	Typ573	Typ574	Typ575	Typ576	Typ577	Typ578	Typ579	Typ580	Typ581	Typ582	Typ583	Typ584	Typ585	Typ586	Typ587	Typ588	Typ589	Typ590	Typ591	Typ592	Typ593	Typ594	Typ595	Typ596	Typ597	Typ598	Typ599	Typ600	Typ601	Typ602	Typ603	Typ604	Typ605	Typ606	Typ607	Typ608	Typ609	Typ610	Typ611	Typ612	Typ613	Typ614	Typ615	Typ616	Typ617	Typ618	Typ619	Typ620	Typ621	Typ622	Typ623	Typ624	Typ625	Typ626	Typ627	Typ628	Typ629	Typ630	Typ631	Typ632	Typ633	Typ634	Typ635	Typ636	Typ637	Typ638	Typ639	Typ640	Typ641	Typ642	Typ643	Typ644	Typ645	Typ646	Typ647	Typ648	Typ649	Typ650	Typ651	Typ652	Typ653	Typ654	Typ655	Typ656	Typ657	Typ658	Typ659	Typ660	Typ661	Typ662	Typ663	Typ664	Typ665	Typ666	Typ667	Typ668	Typ669	Typ670	Typ671	Typ672	Typ673	Typ674	Typ675	Typ676	Typ677	Typ678	Typ679	Typ680	Typ681	Typ682	Typ683	Typ684	Typ685	Typ686	Typ687	Typ688	Typ689	Typ690	Typ691	Typ692	Typ693	Typ694	Typ695	Typ696	Typ697	Typ698	Typ699	Typ700	Typ701	Typ702	Typ703	Typ704	Typ705	Typ706	Typ707	Typ708	Typ709	Typ710	Typ711	Typ712	Typ713	Typ714	Typ715	Typ716	Typ717	Typ718	Typ719	Typ720	Typ721	Typ722	Typ723	Typ724	Typ725	Typ726	Typ727	Typ728	Typ729	Typ730	Typ731	Typ732	Typ733	Typ734	Typ735	Typ736	Typ737	Typ738	Typ739	Typ740	Typ741	Typ742	Typ743	Typ744	Typ745	Typ746	Typ747	Typ748	Typ749	Typ750	Typ751	Typ752	Typ753	Typ754	Typ755	Typ756	Typ757	Typ758	Typ759	Typ760	Typ761	Typ762	Typ763	Typ764	Typ765	Typ766	Typ767	Typ768	Typ769	Typ770	Typ771	Typ772	Typ773	Typ774	Typ775	Typ776	Typ777	Typ778	Typ779	Typ780	Typ781	Typ782	Typ783	Typ784	Typ785	Typ786	Typ787	Typ788	Typ789	Typ790	Typ791	Typ792	Typ793	Typ794	Typ795	Typ796	Typ797	Typ798	Typ799	Typ800	Typ801	Typ802	Typ803	Typ804	Typ805	Typ806	Typ807	Typ808	Typ809	Typ810	Typ811	Typ812	Typ813	Typ814	Typ815	Typ816	Typ817	Typ818	Typ819	Typ820	Typ821	Typ822	Typ823	Typ824	Typ825	Typ826	Typ827	Typ828	Typ829	Typ830	Typ831	Typ832	Typ833	Typ834	Typ835	Typ836	Typ837	Typ838	Typ839	Typ840	Typ841	Typ842	Typ843	Typ844	Typ845	Typ846	Typ847	Typ848	Typ849	Typ850	Typ851	Typ852	Typ853	Typ854	Typ855	Typ856	Typ857	Typ858	Typ859	Typ860	Typ861	Typ862	Typ863	Typ864	Typ865	Typ866	Typ867	Typ868	Typ869	Typ870	Typ871	Typ872	Typ873	Typ874	Typ875	Typ876	Typ877	Typ878	Typ879	Typ880	Typ881	Typ882	Typ883	Typ884	Typ885	Typ886	Typ887	Typ888	Typ889	Typ890	Typ891	Typ892	Typ893	Typ894	Typ895	Typ896	Typ897	Typ898	Typ899	Typ900	Typ901	Typ902	Typ903	Typ904	Typ905	Typ906	Typ907	Typ908	Typ909	Typ910	Typ911	Typ912	Typ913	Typ914	Typ915	Typ916	Typ917	Typ918	Typ919	Typ920	Typ921	Typ922	Typ923	Typ924	Typ925	Typ926	Typ927	Typ928	Typ929	Typ930	Typ931	Typ932	Typ933	Typ934	Typ935	Typ936	Typ937	Typ938	Typ939	Typ940	Typ941	Typ942	Typ943	Typ944	Typ945	Typ946	Typ947	Typ948	Typ949	Typ950	Typ951	Typ952	Typ953	Typ954	Typ955	Typ956	Typ957	Typ958	Typ959	Typ960	Typ961	Typ962	Typ963	Typ964	Typ965	Typ966	Typ967	Typ968	Typ969	Typ970	Typ971	Typ972	Typ973	Typ974	Typ975	Typ976	Typ977	Typ978	Typ979	Typ980	Typ981	Typ982	Typ983	Typ984	Typ985	Typ986	Typ987	Typ988	Typ989	Typ990	Typ991	Typ992	Typ993	Typ994	Typ995	Typ996	Typ997	Typ998	Typ999	Typ1000
---	------	------	------	------	------	------	------	------	-------	-------	-------	-------	-------	-------	-------	-------	-------	-------	-------	-------	-------	-------	-------	-------	-------	-------	-------	-------	-------	-------	-------	-------	-------	-------	-------	-------	-------	-------	-------	-------	-------	-------	-------	-------	-------	-------	-------	-------	-------	-------	-------	-------	-------	-------	-------	-------	-------	-------	-------	-------	-------	-------	-------	-------	-------	-------	-------	-------	-------	-------	-------	-------	-------	-------	-------	-------	-------	-------	-------	-------	-------	-------	-------	-------	-------	-------	-------	-------	-------	-------	-------	-------	-------	-------	-------	-------	-------	-------	--------	--------	--------	--------	--------	--------	--------	--------	--------	--------	--------	--------	--------	--------	--------	--------	--------	--------	--------	--------	--------	--------	--------	--------	--------	--------	--------	--------	--------	--------	--------	--------	--------	--------	--------	--------	--------	--------	--------	--------	--------	--------	--------	--------	--------	--------	--------	--------	--------	--------	--------	--------	--------	--------	--------	--------	--------	--------	--------	--------	--------	--------	--------	--------	--------	--------	--------	--------	--------	--------	--------	--------	--------	--------	--------	--------	--------	--------	--------	--------	--------	--------	--------	--------	--------	--------	--------	--------	--------	--------	--------	--------	--------	--------	--------	--------	--------	--------	--------	--------	--------	--------	--------	--------	--------	--------	--------	--------	--------	--------	--------	--------	--------	--------	--------	--------	--------	--------	--------	--------	--------	--------	--------	--------	--------	--------	--------	--------	--------	--------	--------	--------	--------	--------	--------	--------	--------	--------	--------	--------	--------	--------	--------	--------	--------	--------	--------	--------	--------	--------	--------	--------	--------	--------	--------	--------	--------	--------	--------	--------	--------	--------	--------	--------	--------	--------	--------	--------	--------	--------	--------	--------	--------	--------	--------	--------	--------	--------	--------	--------	--------	--------	--------	--------	--------	--------	--------	--------	--------	--------	--------	--------	--------	--------	--------	--------	--------	--------	--------	--------	--------	--------	--------	--------	--------	--------	--------	--------	--------	--------	--------	--------	--------	--------	--------	--------	--------	--------	--------	--------	--------	--------	--------	--------	--------	--------	--------	--------	--------	--------	--------	--------	--------	--------	--------	--------	--------	--------	--------	--------	--------	--------	--------	--------	--------	--------	--------	--------	--------	--------	--------	--------	--------	--------	--------	--------	--------	--------	--------	--------	--------	--------	--------	--------	--------	--------	--------	--------	--------	--------	--------	--------	--------	--------	--------	--------	--------	--------	--------	--------	--------	--------	--------	--------	--------	--------	--------	--------	--------	--------	--------	--------	--------	--------	--------	--------	--------	--------	--------	--------	--------	--------	--------	--------	--------	--------	--------	--------	--------	--------	--------	--------	--------	--------	--------	--------	--------	--------	--------	--------	--------	--------	--------	--------	--------	--------	--------	--------	--------	--------	--------	--------	--------	--------	--------	--------	--------	--------	--------	--------	--------	--------	--------	--------	--------	--------	--------	--------	--------	--------	--------	--------	--------	--------	--------	--------	--------	--------	--------	--------	--------	--------	--------	--------	--------	--------	--------	--------	--------	--------	--------	--------	--------	--------	--------	--------	--------	--------	--------	--------	--------	--------	--------	--------	--------	--------	--------	--------	--------	--------	--------	--------	--------	--------	--------	--------	--------	--------	--------	--------	--------	--------	--------	--------	--------	--------	--------	--------	--------	--------	--------	--------	--------	--------	--------	--------	--------	--------	--------	--------	--------	--------	--------	--------	--------	--------	--------	--------	--------	--------	--------	--------	--------	--------	--------	--------	--------	--------	--------	--------	--------	--------	--------	--------	--------	--------	--------	--------	--------	--------	--------	--------	--------	--------	--------	--------	--------	--------	--------	--------	--------	--------	--------	--------	--------	--------	--------	--------	--------	--------	--------	--------	--------	--------	--------	--------	--------	--------	--------	--------	--------	--------	--------	--------	--------	--------	--------	--------	--------	--------	--------	--------	--------	--------	--------	--------	--------	--------	--------	--------	--------	--------	--------	--------	--------	--------	--------	--------	--------	--------	--------	--------	--------	--------	--------	--------	--------	--------	--------	--------	--------	--------	--------	--------	--------	--------	--------	--------	--------	--------	--------	--------	--------	--------	--------	--------	--------	--------	--------	--------	--------	--------	--------	--------	--------	--------	--------	--------	--------	--------	--------	--------	--------	--------	--------	--------	--------	--------	--------	--------	--------	--------	--------	--------	--------	--------	--------	--------	--------	--------	--------	--------	--------	--------	--------	--------	--------	--------	--------	--------	--------	--------	--------	--------	--------	--------	--------	--------	--------	--------	--------	--------	--------	--------	--------	--------	--------	--------	--------	--------	--------	--------	--------	--------	--------	--------	--------	--------	--------	--------	--------	--------	--------	--------	--------	--------	--------	--------	--------	--------	--------	--------	--------	--------	--------	--------	--------	--------	--------	--------	--------	--------	--------	--------	--------	--------	--------	--------	--------	--------	--------	--------	--------	--------	--------	--------	--------	--------	--------	--------	--------	--------	--------	--------	--------	--------	--------	--------	--------	--------	--------	--------	--------	--------	--------	--------	--------	--------	--------	--------	--------	--------	--------	--------	--------	--------	--------	--------	--------	--------	--------	--------	--------	--------	--------	--------	--------	--------	--------	--------	--------	--------	--------	--------	--------	--------	--------	--------	--------	--------	--------	--------	--------	--------	--------	--------	--------	--------	--------	--------	--------	--------	--------	--------	--------	--------	--------	--------	--------	--------	--------	--------	--------	--------	--------	--------	--------	--------	--------	--------	--------	--------	--------	--------	--------	--------	--------	--------	--------	--------	--------	--------	--------	--------	--------	--------	--------	--------	--------	--------	--------	--------	--------	--------	--------	--------	--------	--------	--------	--------	--------	--------	--------	--------	--------	--------	--------	--------	--------	--------	--------	--------	--------	--------	--------	--------	--------	--------	--------	--------	--------	--------	--------	--------	--------	--------	--------	--------	--------	--------	--------	--------	--------	--------	--------	--------	--------	--------	--------	--------	--------	--------	--------	--------	--------	--------	--------	--------	--------	--------	--------	--------	--------	--------	--------	--------	--------	--------	--------	--------	--------	--------	--------	--------	--------	--------	--------	--------	--------	--------	--------	--------	--------	--------	--------	--------	--------	--------	--------	--------	--------	--------	--------	--------	--------	--------	--------	--------	--------	--------	--------	--------	--------	--------	--------	--------	--------	--------	--------	--------	--------	--------	--------	--------	--------	--------	--------	--------	--------	--------	--------	--------	--------	--------	--------	--------	--------	--------	--------	--------	--------	--------	--------	--------	--------	--------	--------	--------	--------	--------	--------	--------	--------	--------	--------	--------	--------	--------	--------	--------	---------

Shotted nut
torque to min.
45 Nm (33 lb/ft)
and insert cotter pin

Vehicle

Damper body

DC "G"- Typ
Bei Fahrzeugen mit
Kurzchassis entfallen die
beiden Scheiben ø 22/ 5 dick!

24
22
30
31
11
12