

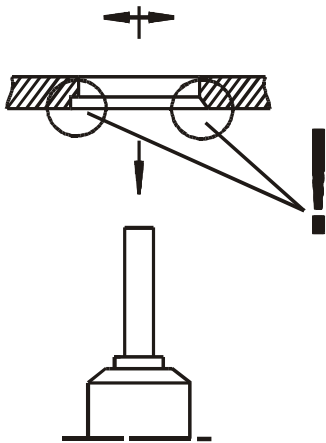
E4-WM5-Y172A00

MOUNTING INSTRUCTION

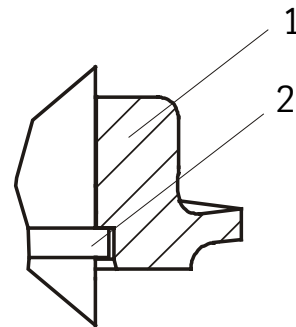


ALL DIAGRAMS ARE GENERALIZED
AND NOT TO SCALE!
BRACKETS, ETC. SPECIFIC TO
STRUT ARE NOT SHOWN!

Fitting of plates with
chamfer (if exist)



When fitting the spring plate (1) care must be
taken to ensure that the circlip ring (2) is
seated
correctly!



	M 8	M 10	M 12	M 14	M 16	List
						Thread
	13	25	45	72	110	Torque Nm
	10	19	34	54	83	Torque ft lb

DO NOT USE IMPACT TOOLS FOR LOOSENING
OR TIGHTENING FASTENERS, BECAUSE
THIS MAY DESTROY THE THREADS.
SELF- LOCKING NUTS MUST ONLY BE
USED ONCE!