

Oxygen Sensor Installation Instructions

STEP 1:

Remove protector cap just prior to installation

STEP 2:

If not already coated, apply (enclosed) anti-seize to oxygen sensor threads

STEP 3:

Install sensor body ensuring lead wire is not twisted or bent

STEP 4:

Install all sensors with new gasket supplied & torque to proper specs as below:

M18 sensors - Install finger tight then 1/2 - 3/4 turn with wrench / O2 sensor socket **26-33ft. lbs.**

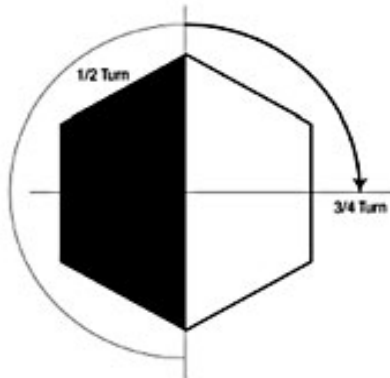
M12 sensors - Install finger tight then 3/4 - 1 turn with wrench / O2 sensor socket **13.2-17ft. lbs.**

a) Flanged applications- (**where flange is NOT already installed on sensor**) Install flange to exhaust manifold first, then mount sensor in flange (copper gasket is bonded to the flange & no additional gasket is required)

b) Flanged applications- (**where flange is already installed on sensor**)

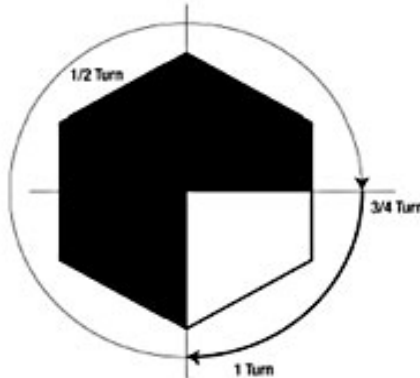
(It is important to use the supplied gasket before installing sensor)

M18 Sensors (Zirconia)
Detecteurs M18 (Zircone)
Sensores M18 (Zirconia)



Finger Tight
Serrer Manuellement
Apriete Manual

M12 Sensors (Titania)
Detecteurs M12 (Bioxyde de Titane)
Sensores M12 (Titania)



Finger Tight
Serrer Manuellement
Apriete Manual

STEP 5: Connect and route lead wire as originally installed