

# Oxygen Sensor Installation Instructions

## STEP 1:

Remove protector cap just prior to installation

## STEP 2:

If not already coated, apply (enclosed) anti-seize to oxygen sensor threads

## STEP 3:

Install sensor body ensuring lead wire is not twisted or bent

## STEP 4:

Install all sensors with new gasket supplied & torque to proper specs as below:

**M18 sensors** - Install finger tight then 1/2 - 3/4 turn with wrench / O2 sensor socket **26-33ft. lbs.**

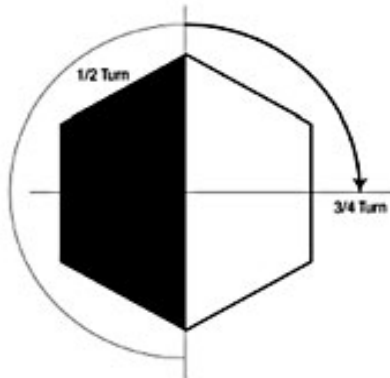
**M12 sensors** - Install finger tight then 3/4 - 1 turn with wrench / O2 sensor socket **13.2-17ft. lbs.**

a) Flanged applications- (**where flange is NOT already installed on sensor**) Install flange to exhaust manifold first, then mount sensor in flange (copper gasket is bonded to the flange & no additional gasket is required)

b) Flanged applications- (**where flange is already installed on sensor**)

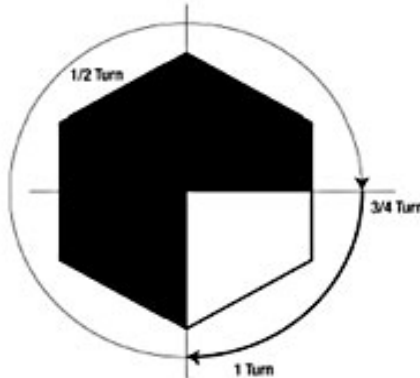
(It is important to use the supplied gasket before installing sensor)

**M18 Sensors (Zirconia)**  
**Detecteurs M18 (Zircone)**  
**Sensores M18 (Zirconia)**



**Finger Tight**  
**Serrer Manuellement**  
**Apriete Manual**

**M12 Sensors (Titania)**  
**Detecteurs M12 (Bioxyde de Titane)**  
**Sensores M12 (Titania)**



**Finger Tight**  
**Serrer Manuellement**  
**Apriete Manual**

**STEP 5:** Connect and route lead wire as originally installed